

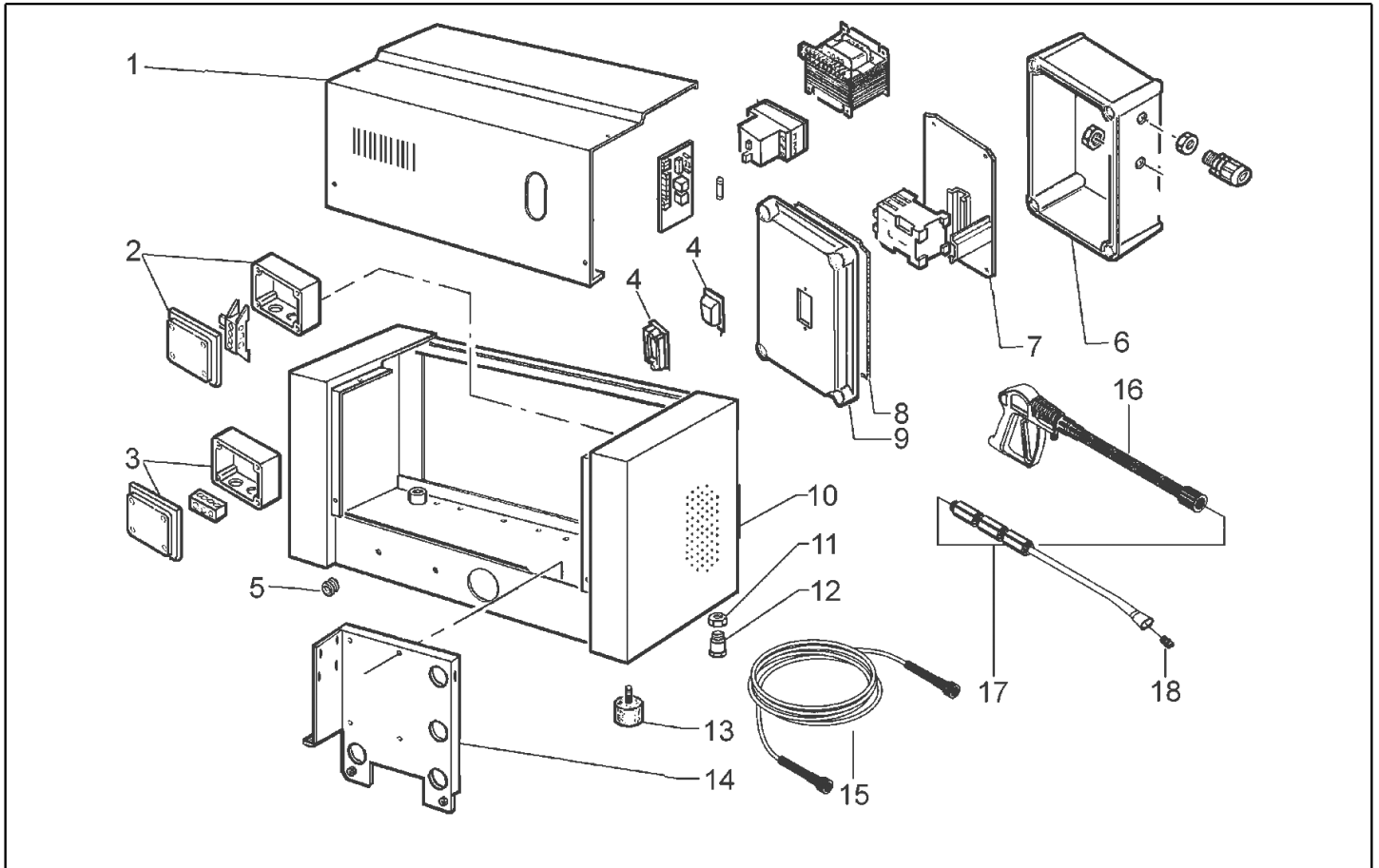


IPC

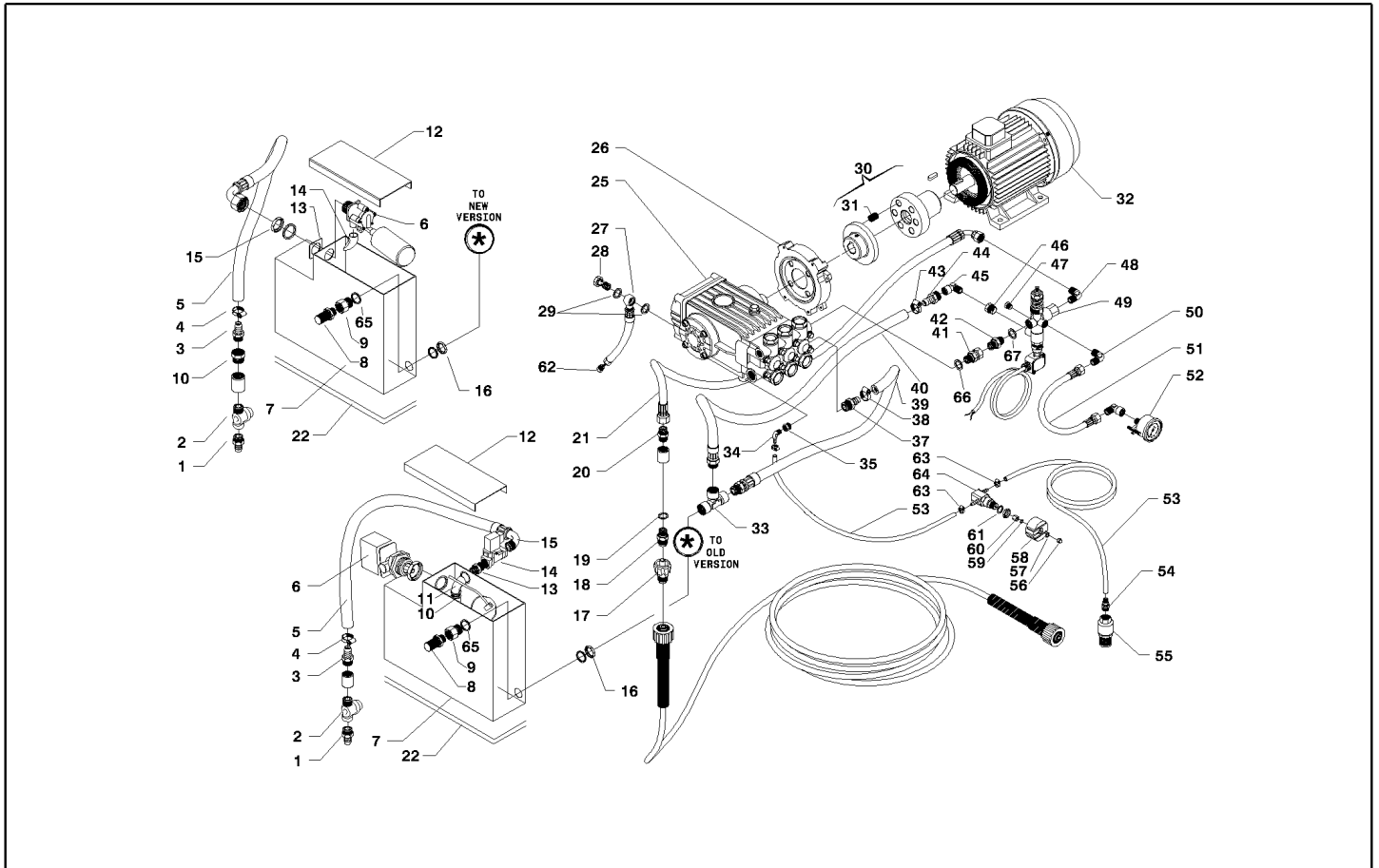
Spare parts list

Ref: IDAF40372

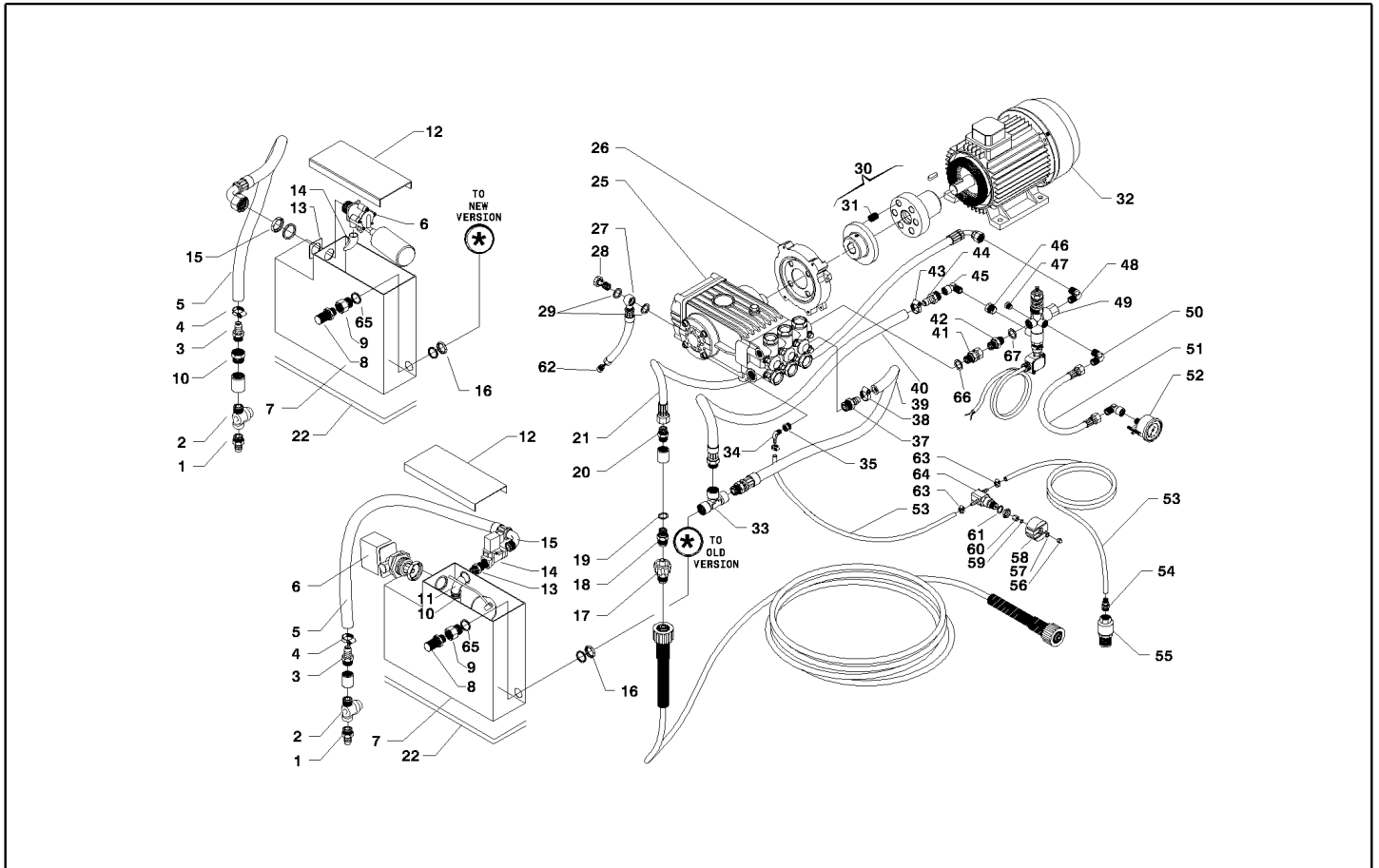
Model: H.P. CLEANER SML-C D2021Pi T400/50 IPC



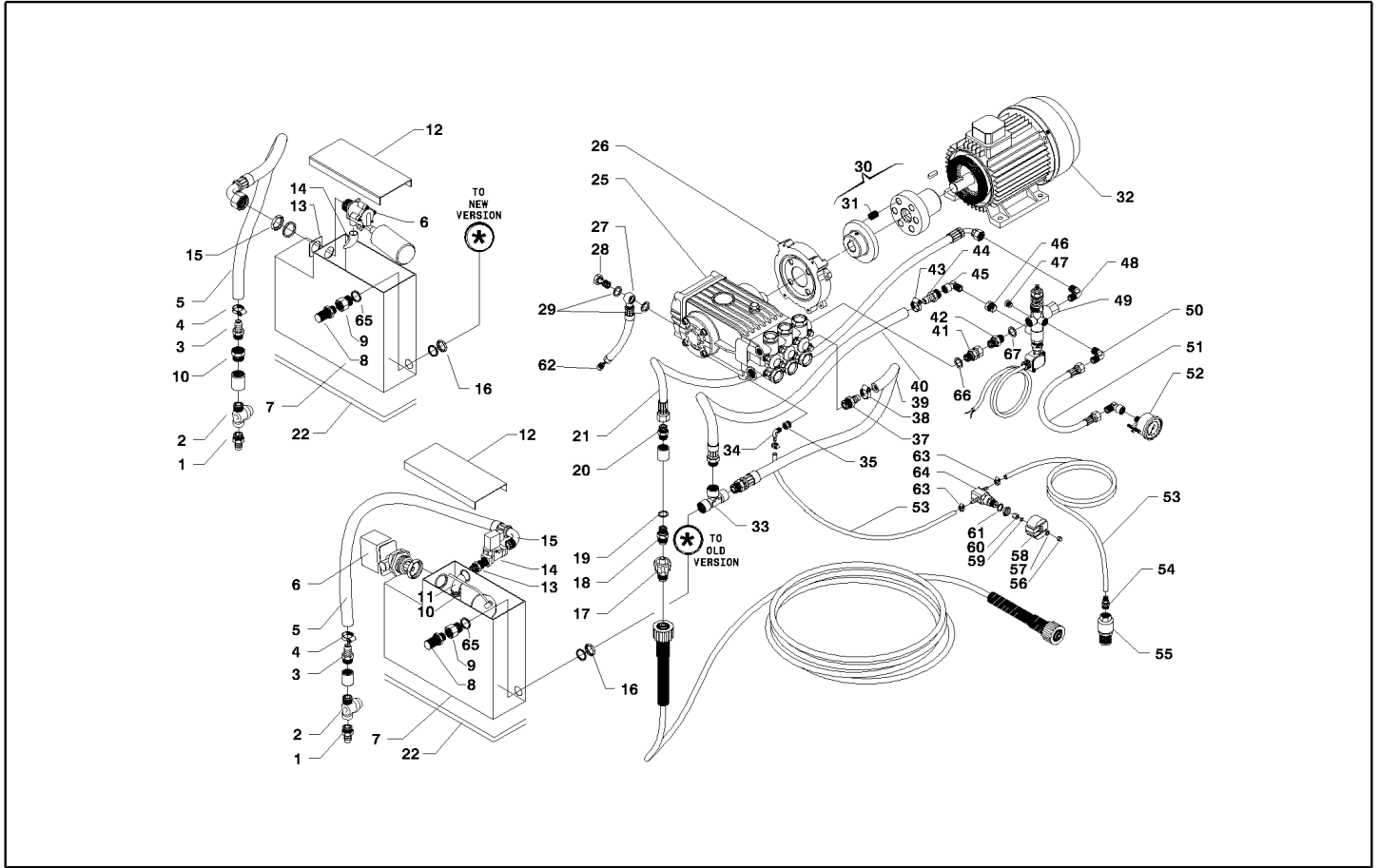
Ref. K	Part n.	Part n. 2	Description	Quantity	Validity		Price
					From	To	
0001	LAFN73843		ANT. PANEL MDS INX 30/100	1,00			--
0002	MEVR71533		BOX 120X80X50	1,00			--
0003	MEVR71533		BOX 120X80X50	1,00			--
0004	MEVR32332		FRAME IP 55 ISK MS 25	1,00			--
0005	MEVR72910		FAIR-LEAD D.9x18x21 (S518)	1,00			--
0006	MEVR71752		BOX NICO	1,00			--
0007	LAFN71786		PLATE SR TST	1,00			--
0008	GUVR71755		GASKET QUADRO EL.SK	1,00			--
0009	MEVR71753		COVER NICO	1,00			--
0010	LAFN73842			1,00			--
0011	MEVR87377		LOCKNUT PG 16 BK	1,00			--
0012	MEVR87382		FAIR-LEAD PG 16 SC BK	1,00			--
0013	ABGO76326		VIBRATION DAMP. CL.40X30-M10X23+M10F 60SH	4,00			--
0014	LAFN73845		BOX SUPPORT MDS INX 30/100	1,00			--
0015	TBAP40010		H.P. HOSE R2 MT 10 3/ 8" C/2 IRV IX	1,00			--
0016	IPPR40002		GRIP G 5000+P.330 +M22 SW.M V	1,00		07/04/2014	--
0016	IPPR40016		GRIP G 5000+P.330 +M22 SW.M V2	1,00	08/04/2014	31/01/2016	--
0016	IPPR40020		GRIP G 6000+P.330 +M22 SW.M V	1,00	01/02/2016	14/06/2018	--
0016	IPPR40025		GRIP G 6000+P.330 +M22 SW.M 2V	1,00	15/06/2018		--
0017	LCPR12976		EXTENSION P 70	1,00	15/03/2007	30/11/2016	--
0017	LCPR40087		EXTENSION P 70 -P20.IX700 M22 M	1,00	01/12/2016	31/08/2017	--
0017	LCPR40159		EXTENSION P 70 -P20.IX700 M22 M 0°	1,00	01/09/2017		--
0018	UGLN02300		NOZZLE 1/4 2506	1,00		02/05/2006	--
0018	UGLN49994		NOZZLE LECH 1/4 2506	1,00	03/05/2006		--



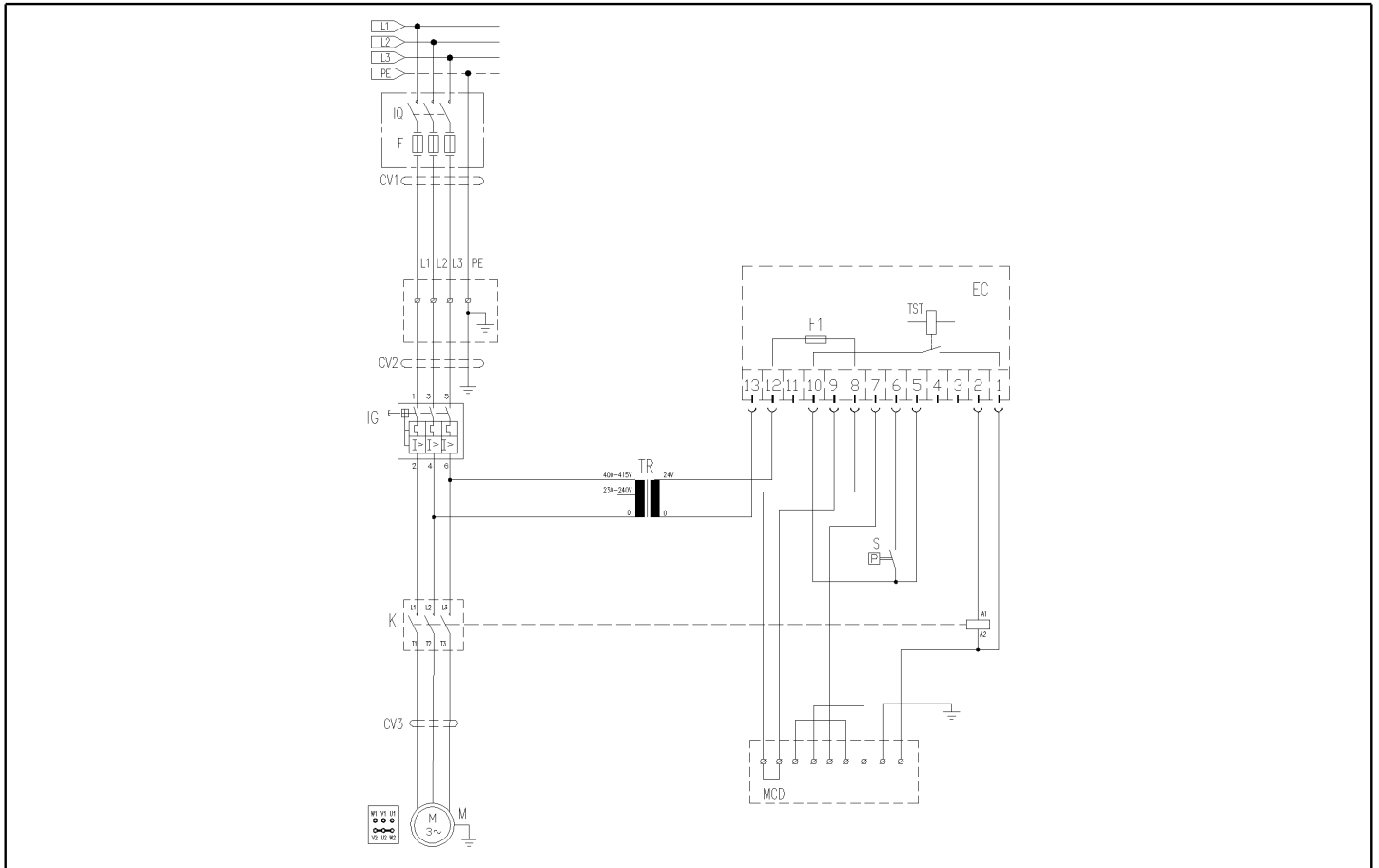
Ref. K	Part n.	Part n. 2	Description	Quantity	Validity		Price
					From	To	
0001	RCDS73006		HOSE FITTING M 3/4" D.20	1,00			--
0002	FTAC72444		WATER FILTER 3/4" M/F 41 LT	1,00			--
0003	S RCVR73008		HOSE FITTING 1/2 D.17 454/A	1,00	10/10/2005		--
0003	RCDS73006		HOSE FITTING M 3/4" D.20	1,00		09/10/2005	--
0004	S FSVR00431		CLAMP D. 16-25	1,00			--
0005	S TBBP41584		L.P. HOSE L=285 3/4F 90°	1,00			--
0006	S RCGR39997		FLOATER MTM 3/4G M 10BAR	1,00			--
0007	LAFN41582		WATER TANK MDS-MR	1,00			--
0008	FTAC41585		FILTER G 3/4M INX	1,00			--
0009	RCDS41586		CONNECTOR USA G 3/4 M/F	1,00			--
0010	S RCDS28900		SLEEVE 3/4-1/2 M/F MTH	1,00	10/10/2005		--
0012	LAFN41581		TANK COVER MDS INX	1,00			--
0013	S LAFN41583		PLATE MDS	2,00			--
0014	S RCVR72828		ELBOW	1,00			--
0016	RCDS40575		RING NUT G3/4 OT	1,00			--
0017	RCIN72805		SCREW CLUTCH F 3/8 M	1,00		14/03/2007	--
0018	RCIN09348		MALE COUPLING 3/8MA L=32	1,00	15/03/2007		--
0018	RCIN73013		SCREW CLUTCH M 3/8M	1,00		14/03/2007	--
0019	VTRS00548		WASHER D.17,5X23X1,5 (3/8)RM	1,00			--
0020	RCDS12121		NIPPLE 3/8 - 3/8 SV/CN	1,00			--
0021	TBAP72736		TUBE 3/8 RACC L=550 R2 0-90°	1,00			--
0022	GUGO27129		JOINT 10X3	0,20	18/10/2004	09/10/2005	--
0025	PPAP42347		PUMP WS102 DX LT 21-100 BAR US	1,00			--
0026	MFVR74067		FLANGE H132 HP10-12 NC	1,00			--
0027	TBBP48183		L.P. HOSE L= 350 1/4OC.- 3/8F 0°	1,00	29/04/2003		--
0028	RCDS02612		SCREW G 1/4 A.P.	1,00	29/04/2003		--
0029	VTRS04931		WASHER COPPER D.13X19X1.5	2,00	29/04/2003		--
0030	FGGT87320		FLEX. COUPLING IP WS 202 HP12-15(24x38)	1,00		05/02/2016	--
0031	FGGT04612		BUSHING IP	6,00			--
0032	MOTR40074		3PH MOTOR HP 12 230/400V 50HZ GT.E	1,00	01/12/2017		--
0032	MOTR87319		3PH MOTOR HP 12 230/400V 50HZ GT.	1,00		30/11/2017	--
0033	RCVR00670		TEE UNION 1/2 F/F/F	1,00			--
0034	RCDS40582		HOSE FITTING "L" 1/4M - D. 6	1,00			--
0035	RCVR02606		REDUCTION 1/2-1/4 M/F	1,00			--
0037	RCDS73006		HOSE FITTING M 3/4" D.20	1,00			--
0038	FSVR00431		CLAMP D. 16-25	1,00			--
0039	TBBP72770		FLEXIBLE HOSE B.P.Lg.470 ML	1,00			--
0040	TBBP72772		L.P. HOSE L= 430 1/2M 0°	1,00			--
0041	RCVR00563		SWIVEL RACCORD 3/8 M/F	1,00			--
0042	RCDS00610		NIPPLE 3/8 - 3/8 SV	1,00			--
0043	FSVR00431		CLAMP D. 16-25	1,00			--
0044	RCDS41588		HOSE FITTING 3/8 M D.17 OT.	1,00			--
0045	RCVR00574		ELBOW 3/8" M/F A10	1,00			--
0046	RCVR02591		SLEEVE 1/4-3/8 M/F A5	1,00	29/04/2003		--



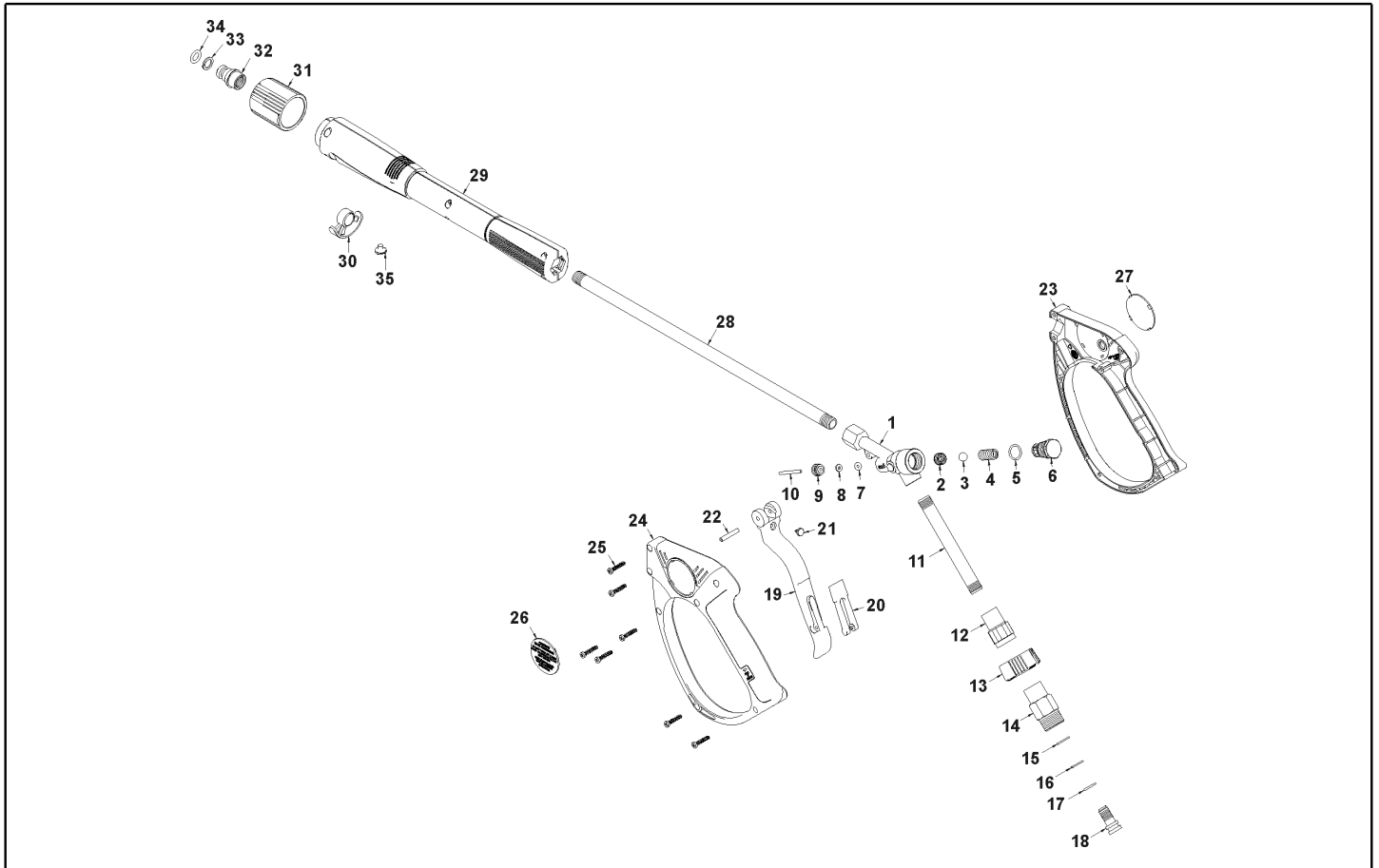
Ref. K	Part n.	Part n. 2	Description	Quantity	Validity		Price
					From	To	
0048	RCVR40590		ELBOW 3/8" M A.P. OT.MTM	1,00			--
0049	VVAZ87716		VALVE ST 261 - SWITCH N.A.	1,00			--
0050	RCVR12430		ELBOW 1/4" M/M A15	1,00	29/04/2003		--
0051	TBAP40004		POLYAMIDE HOSE L=260 1/4 F-F	1,00	01/02/2008		--
0051	TBAP41589		HOSE-FITTING 1/4 R1 L=220 R1 0-90 1/4	1,00		31/01/2008	--
0052	MNMN49621		PRESSURE GAUGE 0-250 D.50 INOX	1,00	01/04/2004		--
0052	MNMN72413		PRESSURE GAUGE 0-315 D.50 ATT.1/4Gj	1,00		31/03/2004	--
0053	TBBP85832		L.P. HOSE D. 5- 8	2,40			--
0054	RCIN40585		CONNECTOR DTT 3/8" M C1 D. 6/8 NIK	1,00			--
0055	VVSF40586		VALVE MHDS	1,00			--
0056	VTDD14407		NUT M 5 INX A2	1,00	17/07/2004		--
0056	VTDD76273		NUT M5 (002D)	1,00		16/07/2004	--
0057	VTRS03590		WASHER D. 5.3X9X0.6	1,00			--
0058	MPVR40584		KNOB	1,00			--
0059	VTRS01079		WASHER D. 6 GROWER	1,00			--
0060	MPVR74070		INSERT FOR STEAM CRANK	1,00			--
0061	VTRS26922		WASHER D.14 X 22 X 1.2 SCHNORR	1,00			--
0062	GUGO01035		O-RING D. 13.95 X 2.62 NBR 70SH	1,00	19/09/2005		--
0062	VTRS00548		WASHER D.17,5X23X1,5 (3/8)RM	1,00	29/04/2003	18/09/2005	--
0062	RCDS28310		CAP 3/8 M PLS	1,00	19/09/2005		--
0062	RCVR12243		CAP 3/8M L=10	1,00	29/04/2003	18/09/2005	--
0063	FSVR72800		CLAMP D 8.3 - 8.8	2,00			--
0064	RCGR40583		DETERGENT TAP	1,00			--
0065	GUVR40627		GASKET D. 3/4"	1,00			--
0066	VTRS00548		WASHER D.17,5X23X1,5 (3/8)RM	1,00			--
0067	VTRS00548		WASHER D.17,5X23X1,5 (3/8)RM	1,00			--



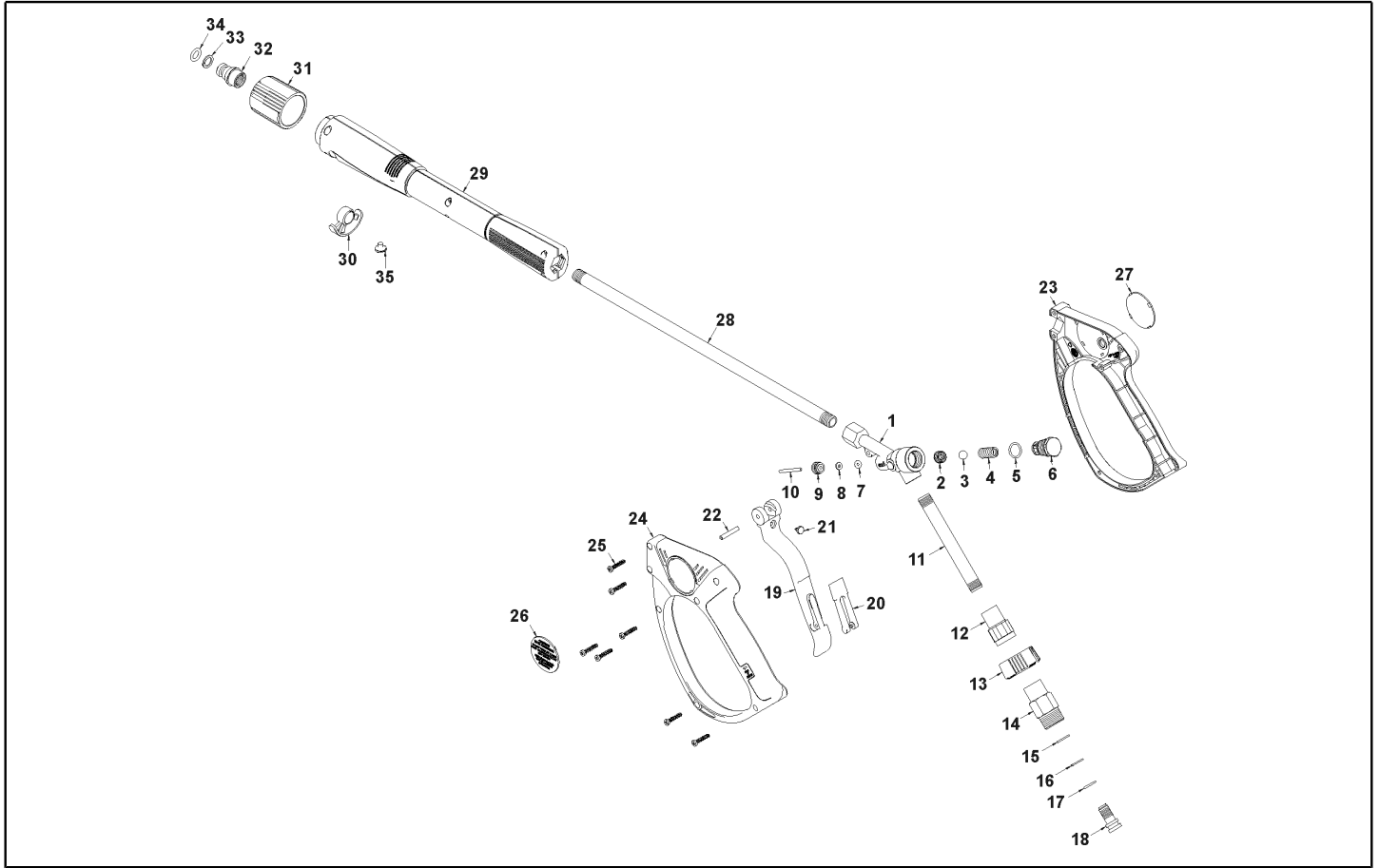
Ref. Part n.	Part n. 2	Description	Reference	Price
9999 KTRI89634		KIT PX 1- 27 SML 20LT	0003 0004 0005 0006 0010 0013 0014	--



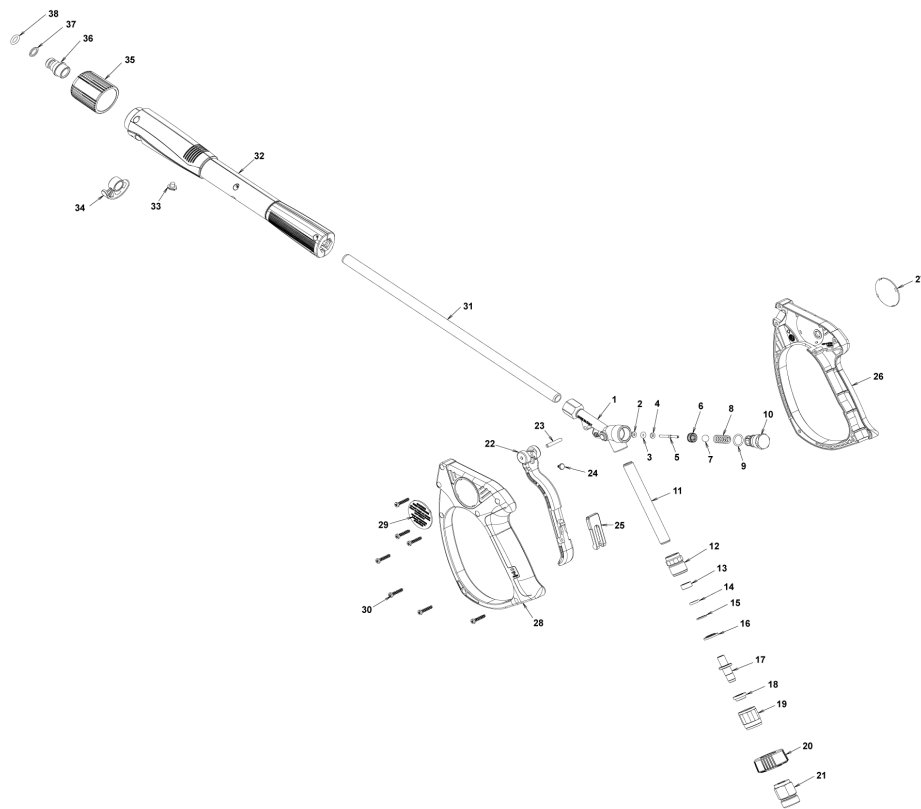
Ref. K	Part n.	Part n. 2	Description	Quantity	Validity		Price
					From	To	
K	METT40022		CONTACTOR SIE 3RT 2026-1AC20 24V	1,00	18/02/2015		--
K	METT40634		CONTACTOR CGE CL 25A 300T1 24V 5/60	1,00		17/02/2015	--
S	MEPF87717		PRESSURE SWITCH ST 261 N.A.	1,00			--
EC	MECE41579		PCB MDS T-ST.	1,00			--
F1	MEVR35744		FUSE 5X20 T 2,5A	1,00			--
GA	MECI88055		FLOATER G3/4 ELEC. P/SML	1,00		09/10/2005	--
IG	MECI71654		SWITCH WMX MS 25 16-20 A	1,00			--
TR	METR41580		TRANSFORMER 50VA 400-230/50V	1,00			--
EVA	MEEV72458		SOLENOID VALVE 1/2 "SIRAI" WATER	1,00		09/10/2005	--



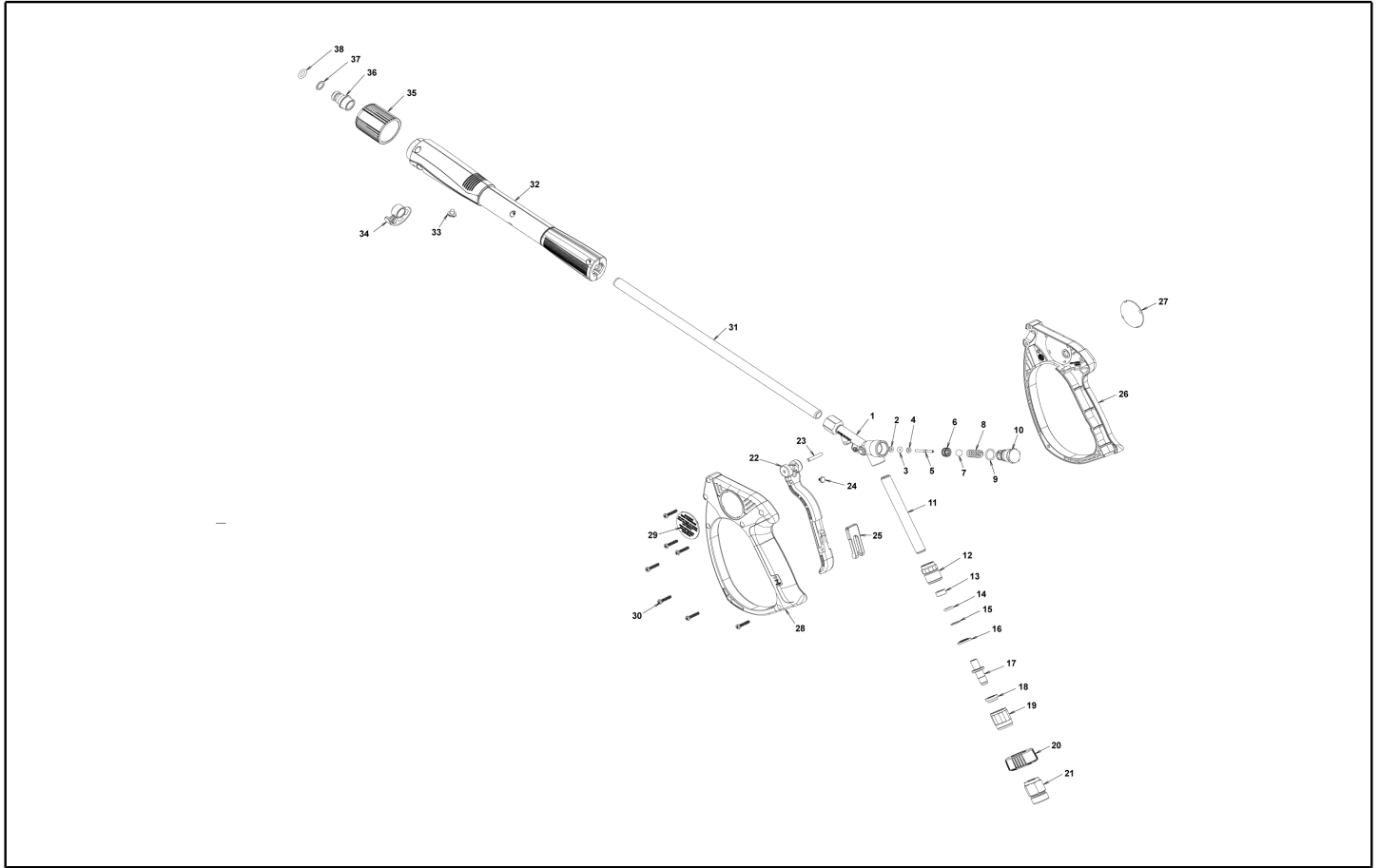
Ref. K	Part n.	Part n. 2	Description	Quantity	Validity		Price
					From	To	
0001	PVVR40111		GUN BODY G 5000 G1/4F	1,00			--
0002	S PVVR40112		BALL SEAT G 5000	1,00			--
0003	S SFVR06779		BALL INOX 11/32	1,00			--
0004	S MLML40016		SPRING D. 9.4 x21.5x1.6 G5000	1,00			--
0005	S GUGO21841		O-RING D. 12.42 X 1.78 NBR 90SH	1,00			--
0006	PVVR40113		CAP G 5000	1,00			--
0007	S GUGO17952		O-RING D. 2.84 X 2.62 NBR 70SH	1,00			--
0008	S GUVR40032		ANTI-EXTR.RING D. 3	1,00			--
0009	S PVVR40114		PISTON GUIDE G 5000	1,00			--
0010	S PVVR40115		SMALL PISTON G 5000	1,00			--
0011	PVVR40116		TUBE G 1/4" L.110	1,00			--
0012	RCIN40007		CONNECTOR SWIV G5000 1/4F	1,00			--
0013	MPVR40190		RING NUT G 5000 SW.	1,00			--
0014	RCIN40008		JOINT SWIV 5000 M22	1,00			--
0015	S PVVR40117		RING SW. G 5000	1,00			--
0016	S GUVR40033		ANTI-EXTR.RING D. 11	1,00			--
0017	S GUGO01036		O-RING D. 10.82 X 1.78 NBR 70SH	1,00			--
0018	PVVR40118		SCREW SW. G 5000	1,00			--
0019	MPVR40191		TRIGGER G 5000-SW	1,00			--
0020	MPVR40192		SAFETY-DEVICE G 5000-SW	1,00			--
0021	PVVR45053		PAWL G 2100 INX	1,00			--
0022	VTVR40008		PLUG D. 3 G5000	1,00			--
0023	MPVR40193		SHELL G 5000-SW 2PZ.	1,00			--
0024	MPVR40193		SHELL G 5000-SW 2PZ.	1,00			--
0025	VTVT62984		SCREW TC-CR M 4.2 X19 ZN	7,00			--
0026	MPVR40194		PLATE G 5000 GR.	1,00			--
0027	MPVR40194		PLATE G 5000 GR.	1,00			--
0028	LCPR40015		TUBE 1/4 L=370 ZC. 0°	1,00			--
0029	MPVR40195		PROTECTION P 370 MV	1,00			--
0030	MPVR40197		CAP G 5000 FIX.	1,00			--
0031	PVVR40119		CONNECTION M22X1.5 IRV G5000	1,00			--
0032	RCIN40009		GUDGEON G 1/4 F IRV G5000	1,00			--
0033	S GUVR40034		ANTI-EXTR.RING D. 10 X14	1,00			--
0034	S GUGO28927		O-RING D. 9.13 X 2.62 NBR 70SH	1,00			--
0035	MPVR40198		CAP G 5000	1,00			--



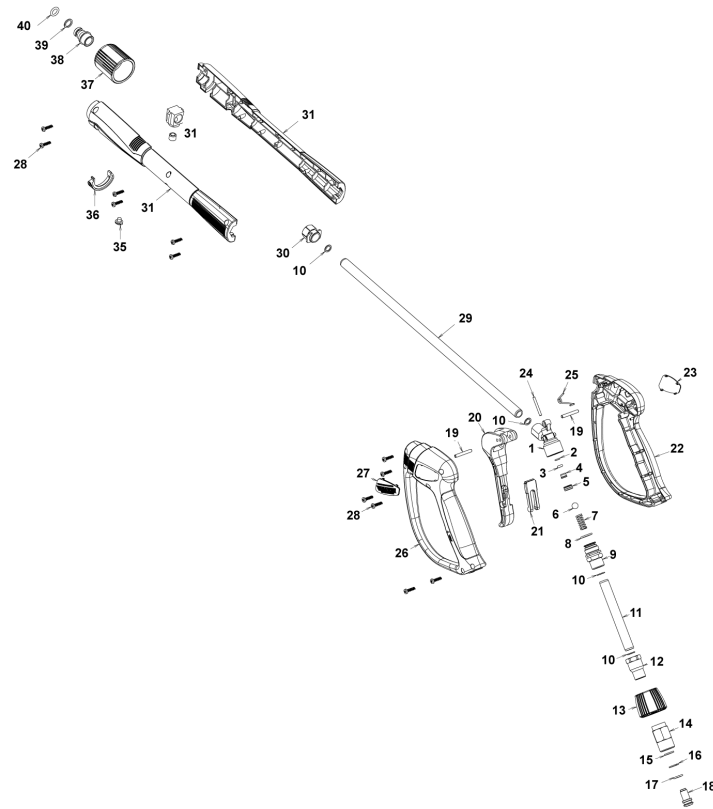
Ref. Part n.	Part n. 2	Description	Reference	Price
KTRI40090		KIT P 26- 23 G 5000-SW	0002 0003 0004 0005 0008 0009 0010 0015 0016 0017 0033 0034 0007	--
KTRI40091		KIT P 33- 13 OR G5000-SW	0033 0034	--



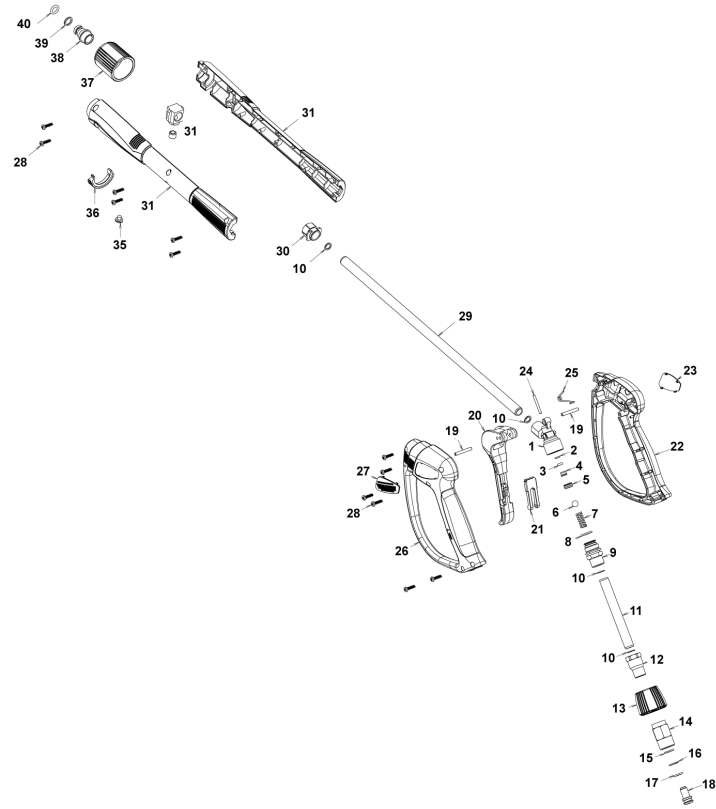
Ref. K	Part n.	Part n. 2	Description	Quantity	Validity		Price
					From	To	
0001	PVVR40402		GUN BODY G5000-V/2 G1/4F	1,00			--
0002	S GUGO17952		O-RING D. 2.84 X 2.62 NBR 70SH	1,00			--
0003	S GUGO21835		O-RING D. 2.84 X 2.62 VIT. 80SH	1,00			--
0004	S VTRS40024		WASHER D. 3 X 7 X1,5 OT	1,00			--
0005	S PVVR40404		SMALL PISTON G5000-V/2	1,00			--
0006	S PVVR40112		BALL SEAT G 5000	1,00			--
0007	S SFVR06779		BALL INOX 11/32	1,00			--
0008	MLML40016		SPRING D. 9.4 x21.5x1.6 G5000	1,00			--
0009	S GUGO21841		O-RING D. 12.42 X 1.78 NBR 90SH	1,00			--
0010	PVVR40113		CAP G 5000	1,00			--
0011	PVVR40405		TUBE G 1/4" L.115	1,00			--
0012	RCIN40024		CONNECTOR SWIV G5000-V/2 1/4F	1,00			--
0013	S PVVR40406		BUSHING G5000-V/2	1,00			--
0014	S PVVR40403		RING SW. G5000-V/2	1,00			--
0015	S GUVR40081		ANTI-EXTR.RING D.9 X13.2X1.2	1,00			--
0016	S PVVR40407		SPACER G5000-V/2	1,00			--
0017	S PVVR40408		PIN G5000-V/2	1,00			--
0018	S PVVR40409		BUSHING C/GRAD. G5000-V/2	1,00			--
0019	PVVR40410		NIPPLE G5000-V/2	1,00			--
0020	PVVR40411		KNOB SWIVEL G5000-V/2	1,00			--
0021	RCIN40025		CONNECTOR SWIV G5000-V/2 M22	1,00			--
0022	S MPVR40628		TRIGGER G5000-V/2	1,00			--
0023	S VTVR40008		PLUG D. 3 G5000	1,00			--
0024	S PVVR45053		PAWL G 2100 INX	1,00			--
0025	S MPVR40629		SAFETY-DEVICE G 5000-SW	1,00			--
0026	MPVR40630		SHELL G5000-V/2 DX	1,00			--
0027	MPVR40631		PLATE G5000-V/2	1,00			--
0028	MPVR40632		SHELL G5000-V/2 SX	1,00			--
0029	MPVR40633		PLATE G5000-V/2 SX	1,00			--
0030	VTVT62984		SCREW TC-CR M 4.2 X19 ZN	7,00			--
0031	LCPR40015		TUBE 1/4 L=370 ZC. 0°	1,00			--
0032	MPVR40195		PROTECTION P 370 MV	1,00			--
0033	MPVR40198		CAP G 5000	1,00			--
0034	MPVR40197		CAP G 5000 FIX.	1,00			--
0035	PVVR40119		CONNECTION M22X1,5 IRV G5000	1,00			--
0036	RCIN40009		GUIDGEON G 1/4 F IRV G5000	1,00			--
0037	GUVR40034		ANTI-EXTR.RING D. 10 X14	1,00			--
0038	GUGO40055		O-RING D. 9.19 X 2.62 - VIT.75	1,00			--



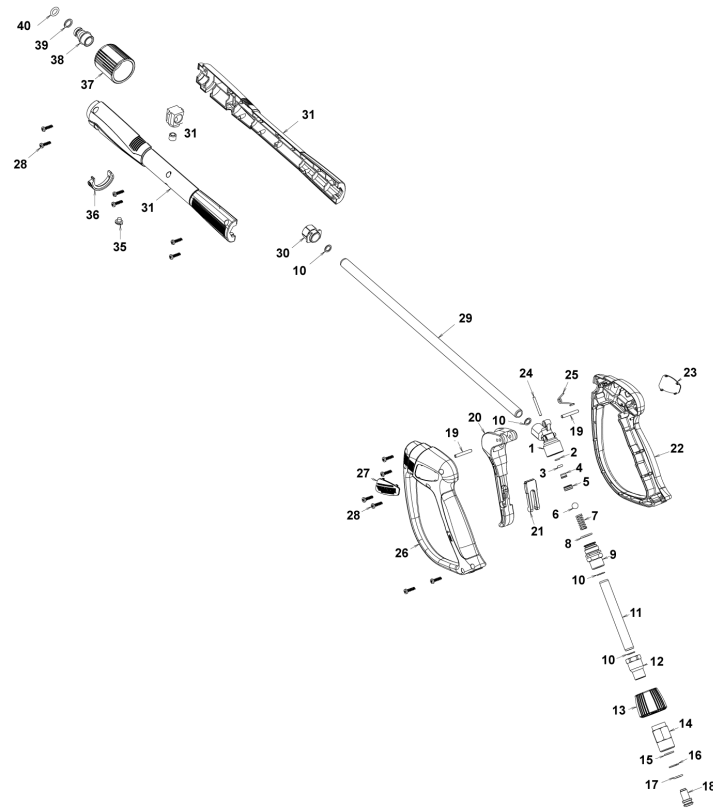
Ref. Part n.	Part n. 2	Description	Reference	Price
KTRI40287		KIT P 26- 29 OR SEDE G5000-V/2	0002 0003 0004 0005 0006 0007 0009	--
KTRI40285		KIT P 26- 27 SWIVEL G5000-V/2	0013 0014 0015 0016 0017 0018	--
KTRI40286		KIT P 26- 28 LEVA G5000-V/2	0022 0023 0024 0025	--



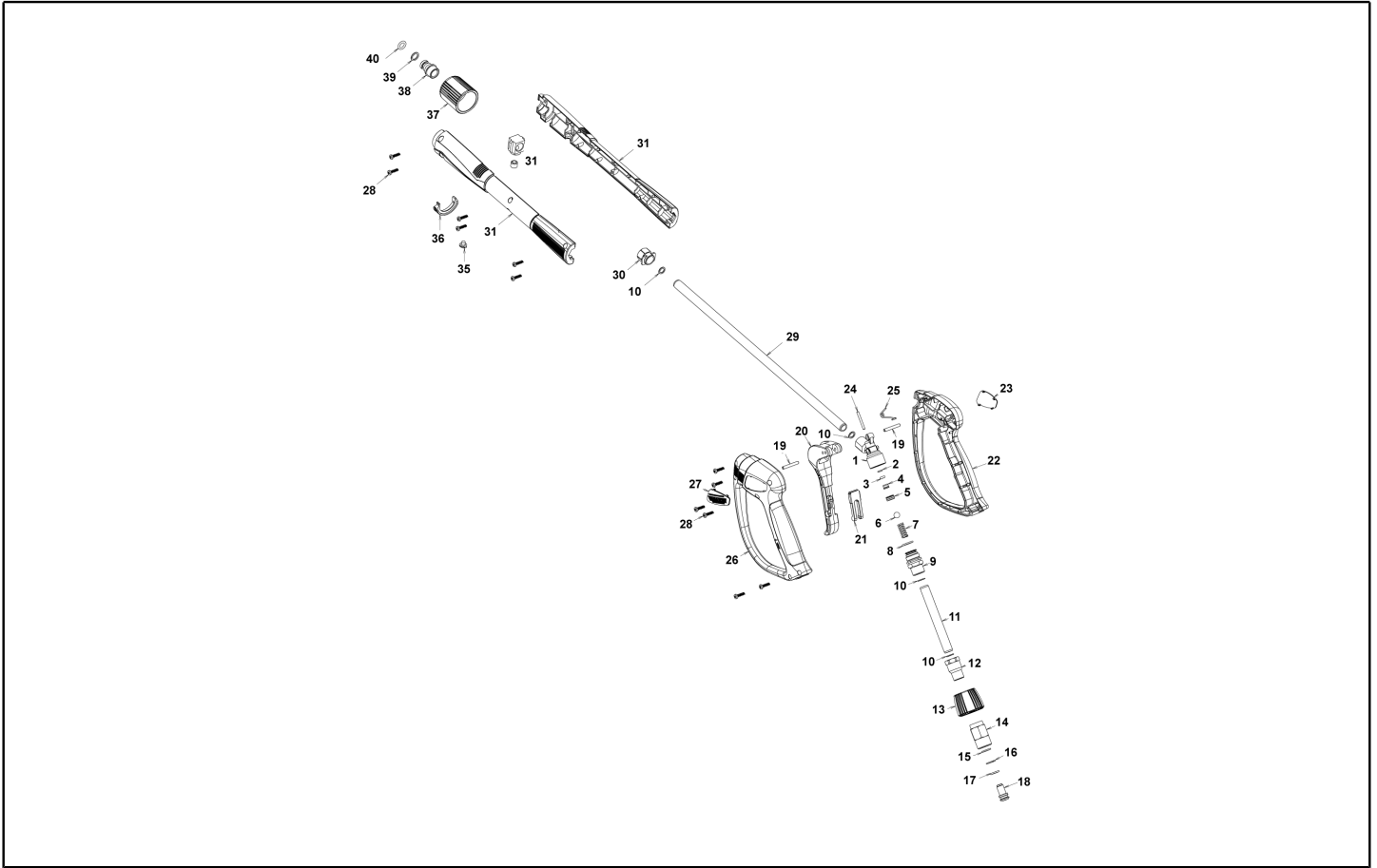
Ref. K	Part n.	Part n. 2	Description	Quantity	Validity		Price
					From	To	
0001	PVVR40381		GUN BODY G 5100 G1/4F	1,00			--
0002	S	GUVR40074	ANTI-EXTR.RING D. 3 X 7.4X1.3	1,00			--
0003	S	GUGO21835	O-RING D. 2.84 X 2.62 VIT. 80SH	1,00			--
0004		PVVR40382	PISTON GUIDE G 5100	1,00			--
0005	S	PVVR40112	BALL SEAT G 5000	1,00			--
0006	S	SFVR40002	BALL D.11/32" ALL GR16	1,00			--
0007		MLML40016	SPRING D. 9.4 x21.5x1.6 G5000	1,00			--
0008		GUGO12322	O-RING D. 14 X 1.78 NBR 90SH	1,00			--
0009		PVVR40383	CONNECTOR COLL.G5100 1/4F	1,00			--
0010		VTRS40017	WASHER D. 8.2X11,4X1.00	4,00			--
0011		PVVR40384	TUBE G 1/4" L.105	1,00			--
0012		RCIN40022	CONNECTOR SWIV G5100 1/4F	1,00			--
0013		MPVR40819	RING NUT G 5100 SW. BK.	1,00			--
0014		RCIN40021	JOINT SWIV 5100 M22	1,00			--
0015	S	GUVR40075	ANTI-EXTR.RING D. 10 X14X1.5	1,00			--
0016	S	GUVR40076	ANTI-EXTR.RING D. 11.2X14X1.2	1,00			--
0017	S	GUGO15295	O-RING D. 10.82 X 1.78 VIT 75SH	1,00			--
0018		PVVR40386	SCREW SW. G 5100	1,00			--
0019		VTVR40047	PLUG D. 4X29	2,00			--
0020		MPVR40820	TRIGGER G 6000-SW	1,00			--
0021		MPVR40821	SAFETY-DEVICE G 6000-SW	1,00			--
0022		MPVR40822	SHELL G 6000-SW DX	1,00			--
0023		MPVR40823	PLATE G 6000 GR.DX	1,00			--
0024		PVVR40387	SMALL PISTON G 5100	1,00			--
0025		MLML40029	SPRING G 5100	1,00			--
0026		MPVR40824	SHELL G 6000-SW SX	1,00			--
0027		MPVR40825	PLATE G 6000 GR.SX	1,00			--
0028		VTVT40043	SCREW AF 4X 14 HILO ZN.N	12,00			--
0029		LCPR40086	TUBE 1/4 L=420 ZC. 0°	1,00			--
0030		MPVR40493	CONNECTOR G 5100-SW	1,00			--
0031		MPVR40494	PROTECTION P 420 C/AN.	1,00			--
0035		MPVR40198	CAP G 5000	1,00			--
0036		MPVR40495	CAP G 5100 REM.	1,00			--
0037		PVVR40119	CONNECTION M22X1,5 IRV G5000	1,00			--
0038		RCIN40009	GUDGEON G 1/4 F IRV G5000	1,00			--
0039		GUVR40034	ANTI-EXTR.RING D. 10 X14	1,00			--
0040		GUGO01946	O-RING D. 9.13 X 2.62 VIT 70SH	1,00			--



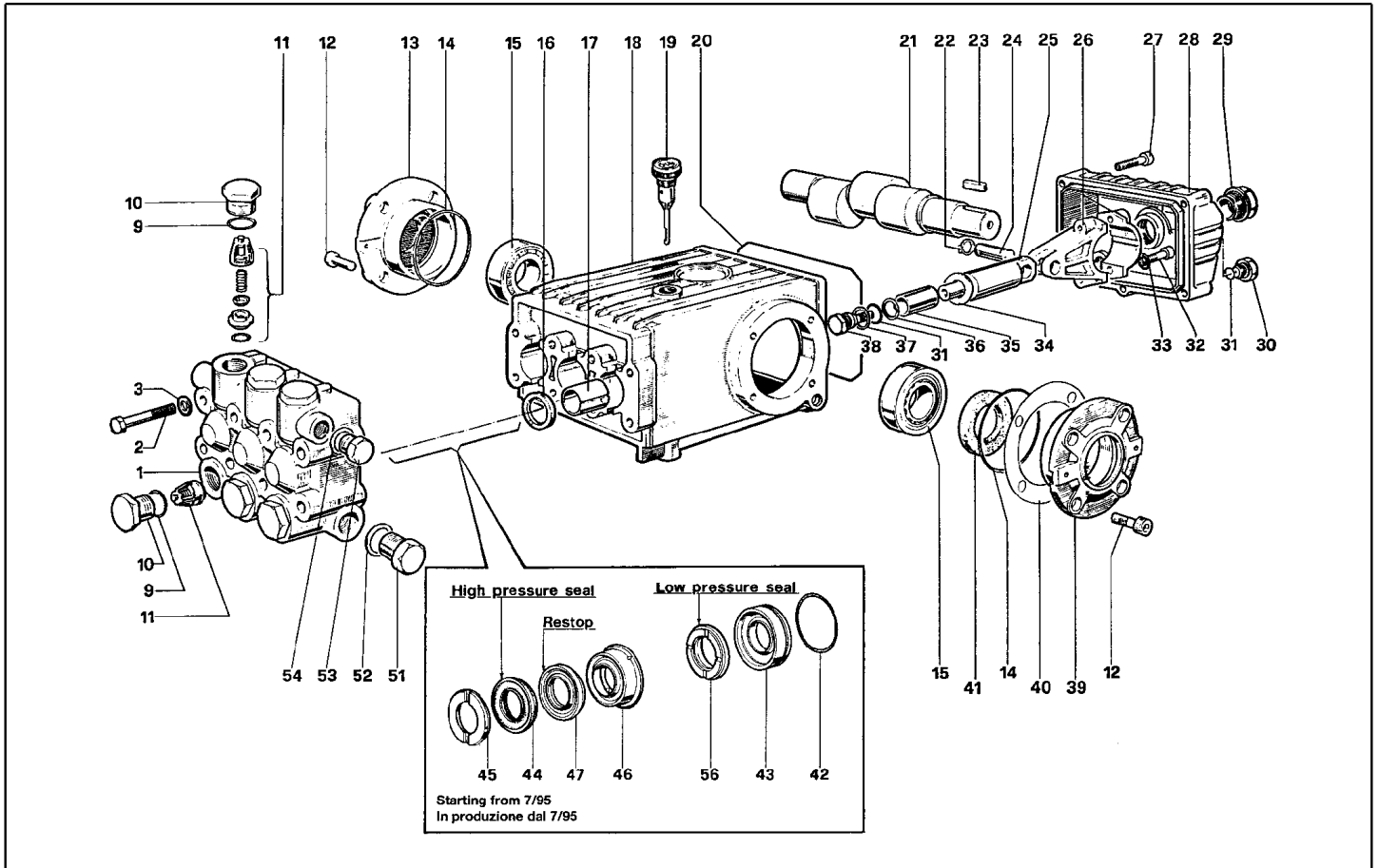
Ref. Part n.	Part n. 2	Description	Reference	Price
KTRI40243		KIT P 26- 26 SWIVEL G 5100	0015 0016 0017	--
KTRI40414		KIT P 26- 34 G 6000	0002 0003 0005 0006	--



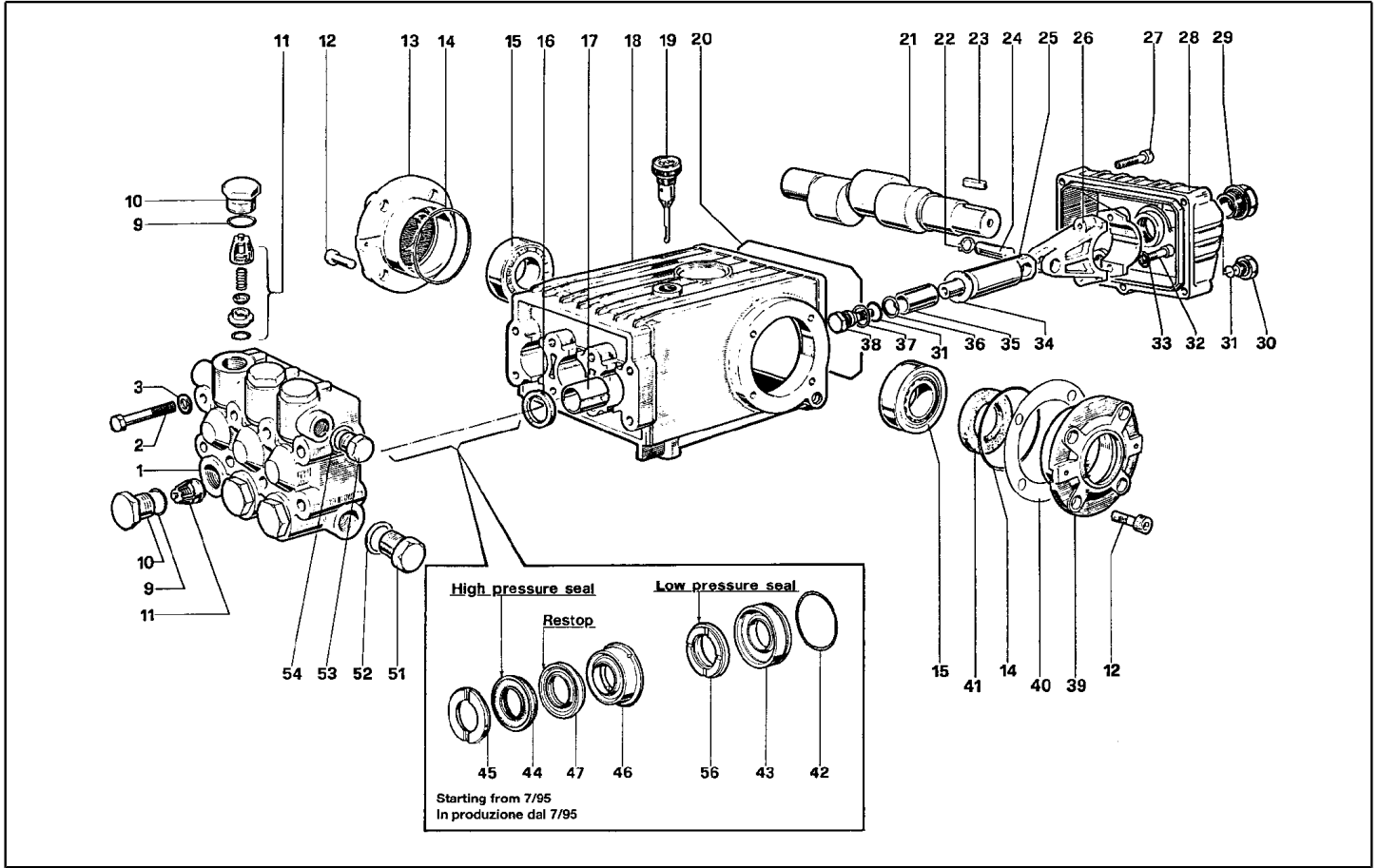
Ref. K	Part n.	Part n. 2	Description	Quantity	Validity		Price
					From	To	
0001	PVVR40381		GUN BODY G 5100 G1/4F	1,00			--
0002	S	GUVR40074	ANTI-EXTR.RING D. 3 X 7.4X1.3	1,00			--
0003	S	GUGO21835	O-RING D. 2.84 X 2.62 VIT. 80SH	1,00			--
0004		PVVR40382	PISTON GUIDE G 5100	1,00			--
0005	S	PVVR40563	BALL SEAT AL36 G6000 + OR	1,00			--
0006	S	SFVR40004	BALL D. 5/16" ALL.GR16	1,00			--
0007		MLML40047	SPRING D. 9.4 x23.5x1.6 G6000	1,00			--
0008		GUGO12322	O-RING D. 14 X 1.78 NBR 90SH	1,00			--
0009		PVVR40383	CONNECTOR COLL.G5100 1/4F	1,00			--
0010		VTRS40017	WASHER D. 8.2X11,4X1.00	4,00			--
0011		PVVR40384	TUBE G 1/4" L.105	1,00			--
0012		RCIN40022	CONNECTOR SWIV G5100 1/4F	1,00			--
0013		MPVR40967	RING NUT G 6000 SW. GR.	1,00			--
0014		RCIN40021	JOINT SWIV 5100 M22	1,00			--
0015	S	GUVR40075	ANTI-EXTR.RING D. 10 X14X1.5	1,00			--
0016	S	GUVR40076	ANTI-EXTR.RING D. 11.2X14X1.2	1,00			--
0017	S	GUGO15295	O-RING D. 10.82 X 1.78 VIT 75SH	1,00			--
0018		PVVR40386	SCREW SW. G 5100	1,00			--
0019		VTVR40047	PLUG D. 4X29	2,00			--
0020		MPVR40820	TRIGGER G 6000-SW	1,00			--
0021		MPVR40821	SAFETY-DEVICE G 6000-SW	1,00			--
0022		MPVR40822	SHELL G 6000-SW DX	1,00			--
0023		MPVR40968	PLATE G 6000/2 GR.DX	1,00			--
0024		PVVR40564	SMALL PISTON G 6000 AL36 SP.	1,00			--
0025		MLML40029	SPRING G 5100	1,00			--
0026		MPVR40824	SHELL G 6000-SW SX	1,00			--
0027		MPVR40825	PLATE G 6000 GR.SX	1,00			--
0028		VTVT40043	SCREW AF 4X 14 HILO ZN.N	12,00			--
0029		LCPR40181	TUBE 1/4 L=416 ZC. 0°	1,00			--
0030		MPVR40493	CONNECTOR G 5100-SW	1,00			--
0031		MPVR40494	PROTECTION P 420 C/AN.	1,00			--
0035		MPVR40198	CAP G 5000	1,00			--
0036		MPVR40495	CAP G 5100 REM.	1,00			--
0037		PVVR40119	CONNECTION M22X1,5 IRV G5000	1,00			--
0038		RCIN40048	GUDGEON G 1/4 F IRV G6000/2	1,00			--
0039		GUVR40034	ANTI-EXTR.RING D. 10 X14	1,00			--
0040		GUGO63555	O-RING D. 9.3 X 2,4 VIT 75SH	1,00			--



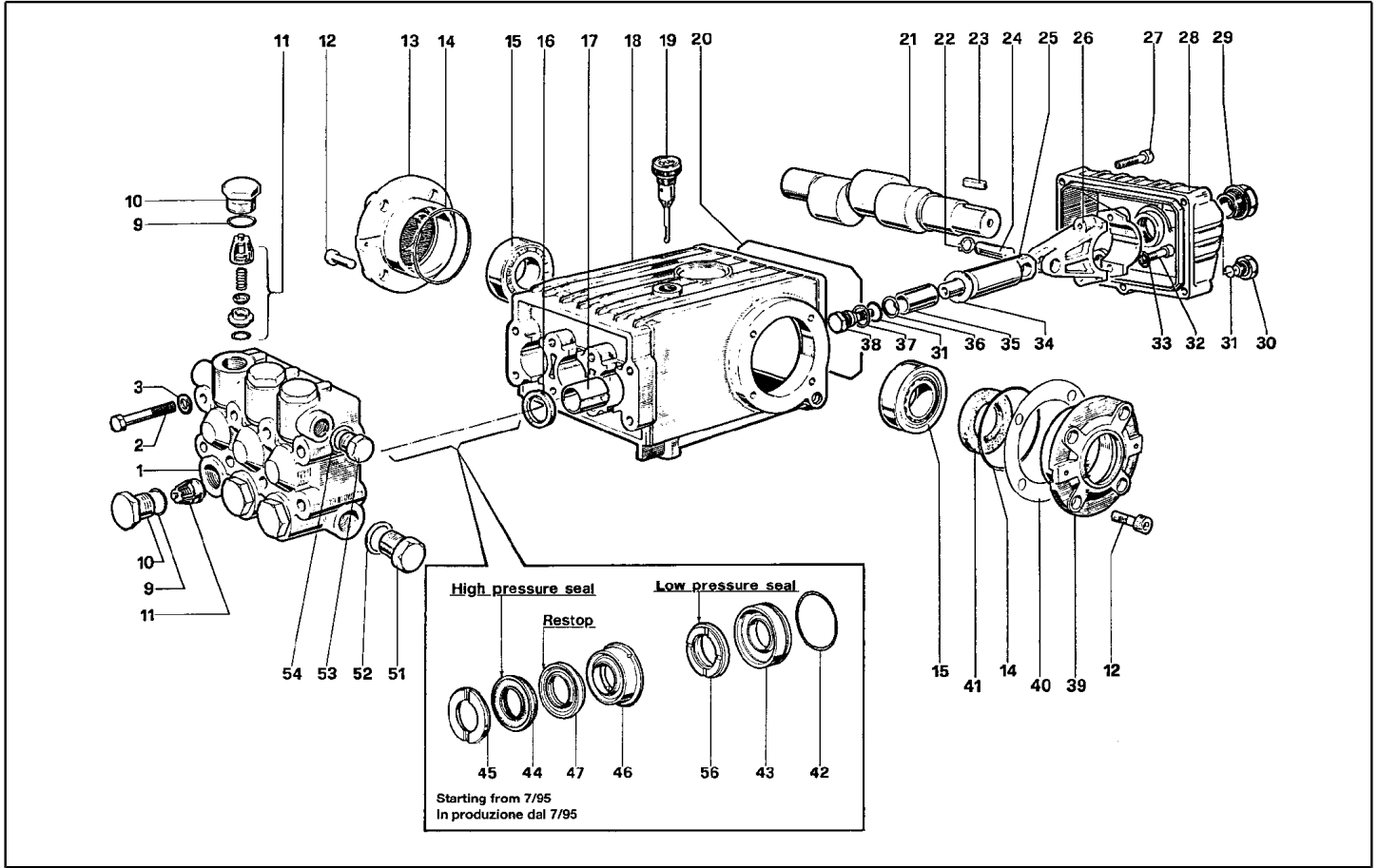
Ref. Part n.	Part n. 2	Description	Reference	Price
KTRI40243		KIT P 26- 26 SWIVEL G 5100	0015 0016 0017	--
KTRI40513		KIT P 26- 36 G 6000/II	0002 0003 0005 0006	--



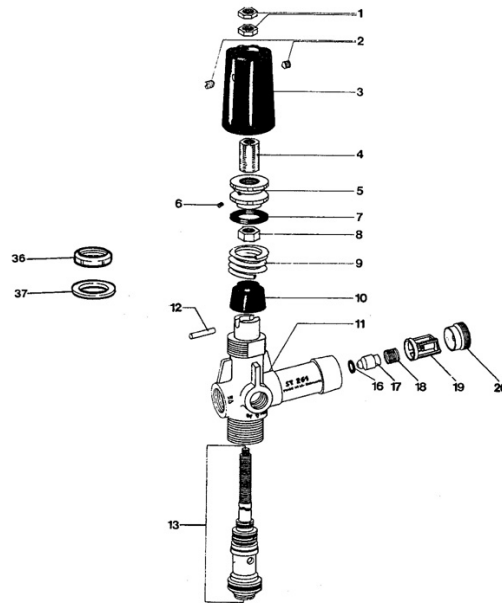
Ref. K	Part n.	Part n. 2	Description	Quantity	Validity		Price
					From	To	
0001	MFVR01097		HEAD W 151	1,00			--
0002	VTVT01111		SCREW TE M 8X70 UNI 5737 A.10.9	8,00			--
0003	VTRS01072		WASHER D. 8 TC	8,00			--
0009	S GUGO01033		O-RING D. 20.24 X 2.62 NBR 90SH	6,00			--
0010	S RCDS01087		CAP M24X2X16 OTT	6,00			--
0011	S VVAM01104		VALVE UNIT W 70-151	6,00			--
0012	VTVT01118		SCREW TCEI M 8X16 ZC. UNI 5931	8,00			--
0013	MFVR03576		CRANKASE COVER W151	1,00			--
0014	GUGO01041		O-RING D. 67.95 X 2.62 NBR 70SH	2,00			--
0015	CUVR09205		ROLLER BEARING 32206 A	2,00			--
0016	S GUGO01000		OIL SEAL 22X 32X 5 NBR70	3,00			--
0017	PVVR01011		BUSHING W 151	3,00			--
0018	MFVR01013		PUMP CRANKCASE W 151	1,00			--
0019	PVVR01092		OIL DIPSTICK W 151	1,00			--
0020	GUGO34590		O-RING D. 133.02 X 2.62 NBR 70SH	1,00			--
0021	ALMO41529		SHAFT TS 1521 USA	1,00			--
0022	VTAE14016		CIRCLIP D. 12 UNI 7435	6,00			--
0023	VTVR41531		KEY 8X 7X35 UNI 6604A	1,00			--
0024	PVVR01085		GUDGEON D.13X35 W151	3,00			--
0025	PVVR01029		PISTON GUIDE W 151	3,00			--
0026	BLVR01009		CONNECTING ROD W 151	3,00			--
0027	VTVT01116		SCREW TCEI 6X30 UNI5931	5,00			--
0028	MFVR03582		CRANKASE COVER W 151 POS	1,00			--
0029	PVVR01083		OIL INDICATOR G 3/4 W70-151	1,00			--
0030	RCDS01088		CAP 1/4X 9 M WW90	1,00			--
0031	S GUGO01036		O-RING D. 10.82 X 1.78 NBR 70SH	4,00			--
0032	VTVT01120		SCREW TCEI 8X35 UNI5931	6,00			--
0033	VTRS14242		WASHER D. 8.4X13X0.8 UNI7064 SCH	6,00			--
0034	S VTRS01753		WASHER D.14X28 X0,5	3,00			--
0035	PIVR01066		PISTON D.20X50 W 151	3,00			--
0036	S GUVR00994		ANTI-EXTR.RING W151	3,00			--
0037	S VTRS01076		WASHER D.14X18,5X0,5	3,00			--
0038	S PVVR01107		PISTON BOLT IP W151	3,00			--
0039	MFVR03583		CRANKASE COVER W151	1,00			--
0040	PVVR01016		THICKNESS 0,1 W 151	2,00			--
0041	S GUGO01003		OIL SEAL 30X 55X 7 NBR70	1,00			--
0042	S GUGO01042		O-RING D. 34.6 X 1.78 NBR 70SH	3,00			--
0043	S PVVR00977		PACKING RETAIN. W151	3,00			--
0044	S GUVR00981		PACKING W151	3,00			--
0045	S PVVR00985		HEAD RING W151	3,00			--
0046	S PVVR34589		INTERMED. RING W 151 D. 20	3,00			--
0047	S GUVR34587		PACKING D. 20 RESTOP	3,00			--
0051	RCDS01091		CAP 1/2X10 M	1,00			--
0052	VTRS01075		WASHER D.21,5X27 ALL	1,00			--



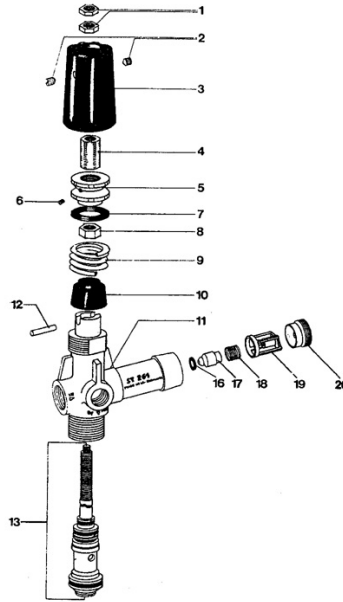
Ref. K	Part n.	Part n. 2	Description	Quantity	Validity		Price
					From	To	
0053	RCDS01090		CAP 3/8X13 M WW90	1,00			--
0054	VTRS01074		WASHER D.17,05X22,3 X1,5	1,00			--
0056	S	GUVR34585	PACKING W 151 L.P.	3,00			--



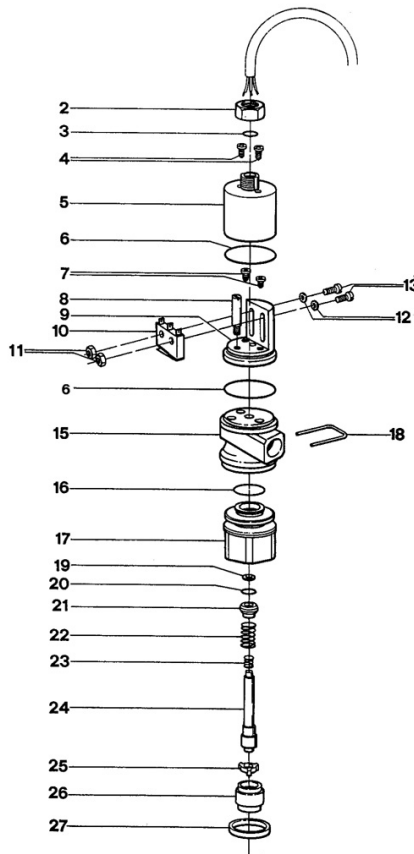
Ref. Part n.	Part n. 2	Description	Reference	Price
KTRI17795		KIT P 4	0009 0010	--
KTRI17859		KIT P 1	0011	--
KTRI17860		KIT P 15- 2	0016	--
KTRI17793		KIT P 6	0031 0034 0036 0037 0038	--
KTRI14900		KIT P 15- 3	0041	--
KTRI14901		KIT P 10	0042 0043	--
KTRI18579		KIT P 28	0042 0043 0044 0045 0046 0047 0056	--
KTRI18574		KIT P 7	0045	--
KTRI36927		KIT P 69	0044 0047 0056	--
KTRI35429		KIT P 71	0046 0047	--



Ref. K	Part n.	Part n. 2	Description	Quantity	Validity		Price
					From	To	
0001	VTDD14926		NUT M6X1 UNI5589	2,00			--
0002	VTVT08589		SCREW EI-ST 5X 6 U.5923	2,00			--
0003	MPVR09436		BLACK KNOB ST 260	1,00			--
0004	PVVR14933		SCREW	1,00			--
0005	VTVT14927		SCREW	1,00			--
0006	VTVT14925		SCREW EI-ST 5X 6 UNI5929	2,00			--
0007	GUVR14928		RING	1,00			--
0008	VTDD14930		NUT M8X1 UNI5588	1,00			--
0009	MLML14929		SPRING D.18X4X28	1,00			--
0010	PVVR16955		SPRING SEAT ST	1,00			--
0011	PVVR16956		VALVE BODY ST 261	1,00			--
0012	PVVR16957		PIN D. 3X13 ST	1,00			--
0013	KTRI16958		KIT P 14- 20	1,00			--
0016	S GUGO10373		O-RING D. 5 X 2.5 VIT 80SH	1,00			--
0017	S PVVR08615		VALVE PART	1,00			--
0018	S MLML08616		SPRING	1,00			--
0019	S PVVR08617		VALVE CAGE	1,00			--
0020	PVVR08618		NUT	1,00			--
0036	PVVR10580		NUT	1,00			--
0037	VTRS17544		WASHER D.30X41.5X2 ST	1,00			--



Ref. Part n.	Part n. 2	Description	Reference	Price
KTRI14653		KIT P 14- 4	0016 0017 0018 0019	--



Ref. K	Part n.	Part n. 2	Description	Quantity	Validity		Price
					From	To	
0002	VTDD08624		NUT ST 260	1,00			--
0003	GUGO10373		O-RING D. 5 X 2.5 VIT 80SH	1,00			--
0004	VTVT08630		SCREW TCB 2,9 X 9,5	2,00			--
0005	PVVR08628		COVERING ST 260 S	1,00			--
0006	GUGO08629		O-RING D. 24 X 1.5 NBR 70SH	2,00			--
0007	VTVT08630		SCREW TCB 2,9 X 9,5	2,00			--
0008	PVVR08631		NUT	1,00			--
0009	PVVR08632		COVERING ST 260 M	1,00			--
0010	MECI08633		MICRO-SWITCH ST 261	1,00			--
0011	VTDD08634		NUT M2	1,00			--
0012	VTRS13332		WASHER OTT	2,00			--
0013	VTVT08643		SCREW	2,00			--
0015	PVVR17568		BODY SW 261	1,00			--
0016	GUGO08609		O-RING D. 15 X 1.5 EPDM70SH	1,00			--
0017	PVVR17569		BODY SW 261	1,00			--
0018	VTVR17570		PLUG ST	1,00			--
0019	GUVR13333		ANTI-EXTR.RING	1,00			--
0020	GUGO07014		O-RING D. 3.3 X 2.4 EPDM80SH	1,00			--
0021	PVVR13334		SPACER OTT	1,00			--
0022	MLML13335		SPRING	1,00			--
0023	MLML08639		SPRING	1,00			--
0024	PVVR17571		ROD ST 261	1,00			--
0025	PVVR08641		PIN GUIDE	1,00			--
0026	PVVR17572		SPACER ST	1,00			--
0027	VTRS17573		WASHER ST	1,00			--