

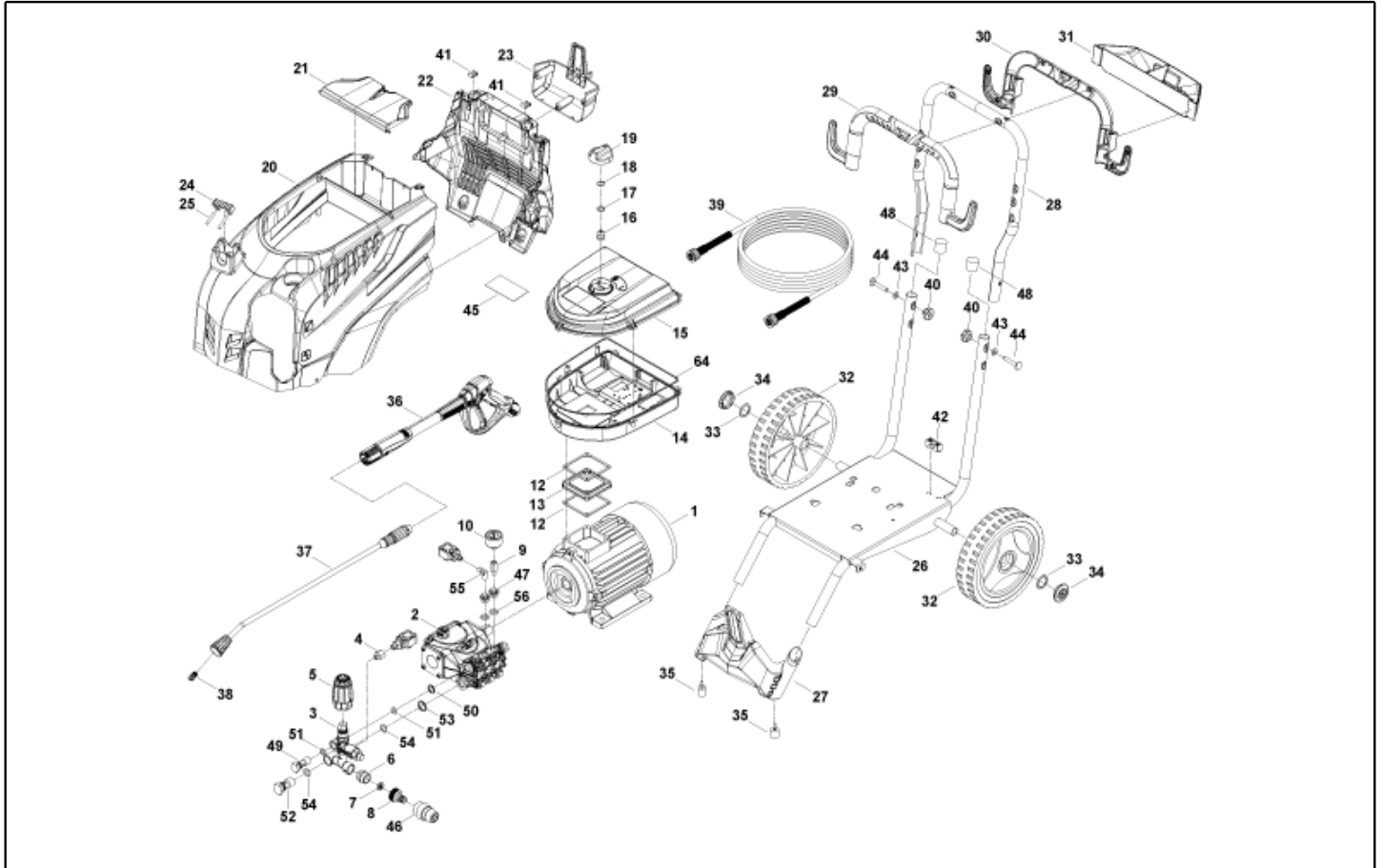


IPC

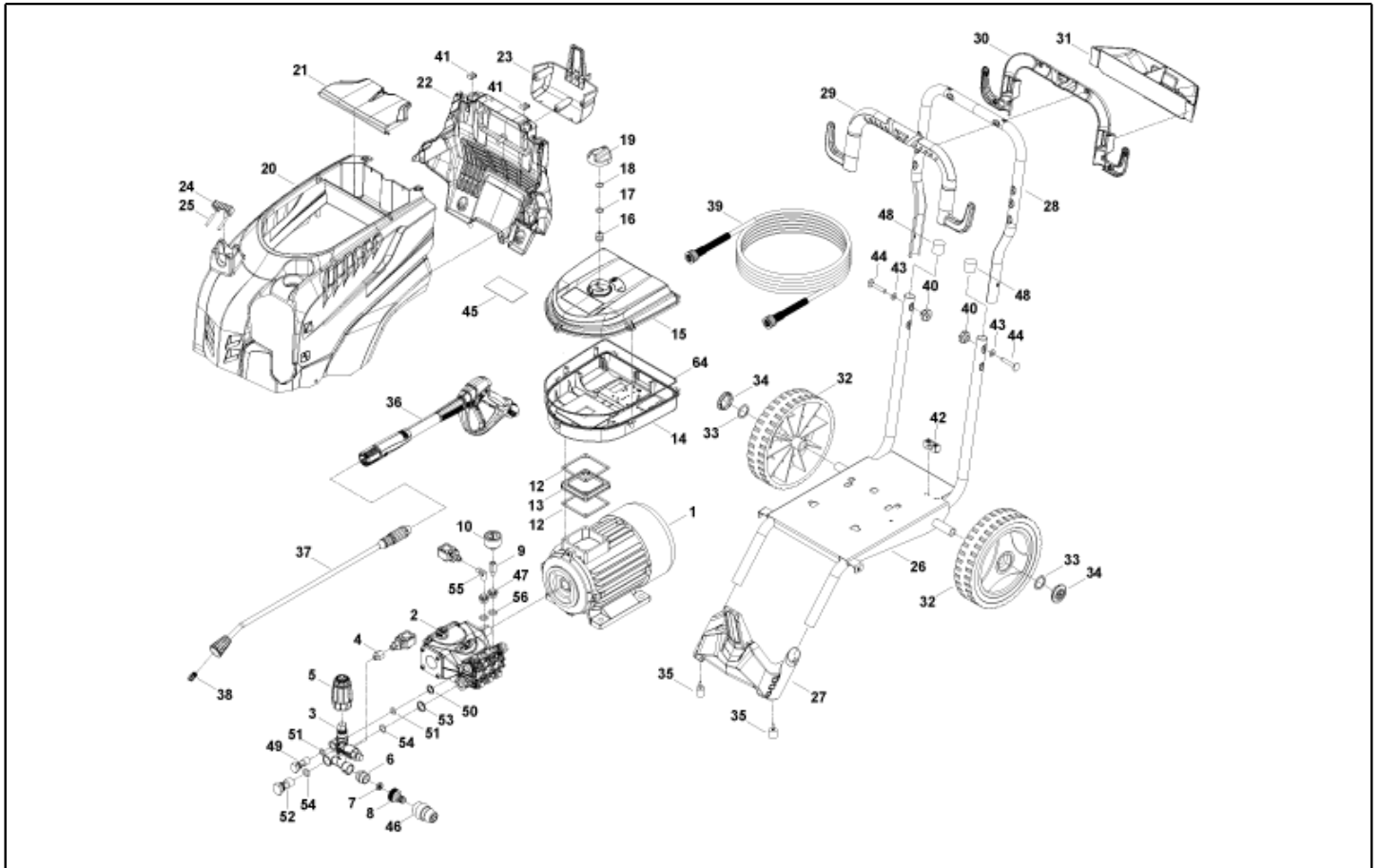
Spare parts list

Ref: IDAF40937

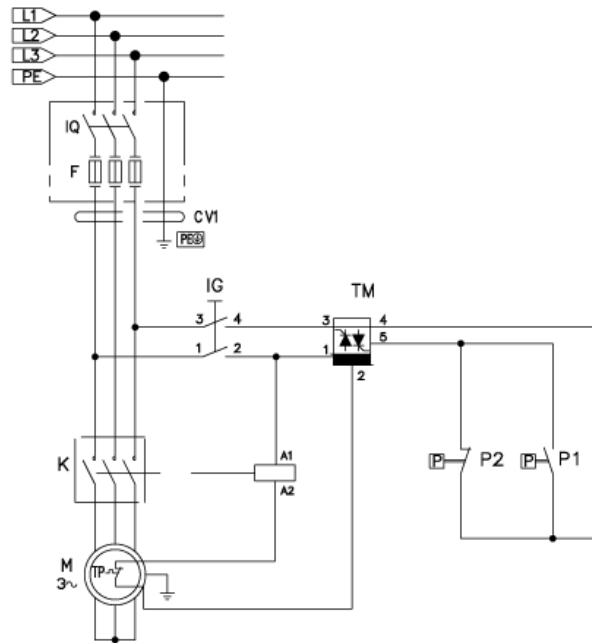
Model: H.P. CLEANER ATOMAX-C D1915P4 T400/50I



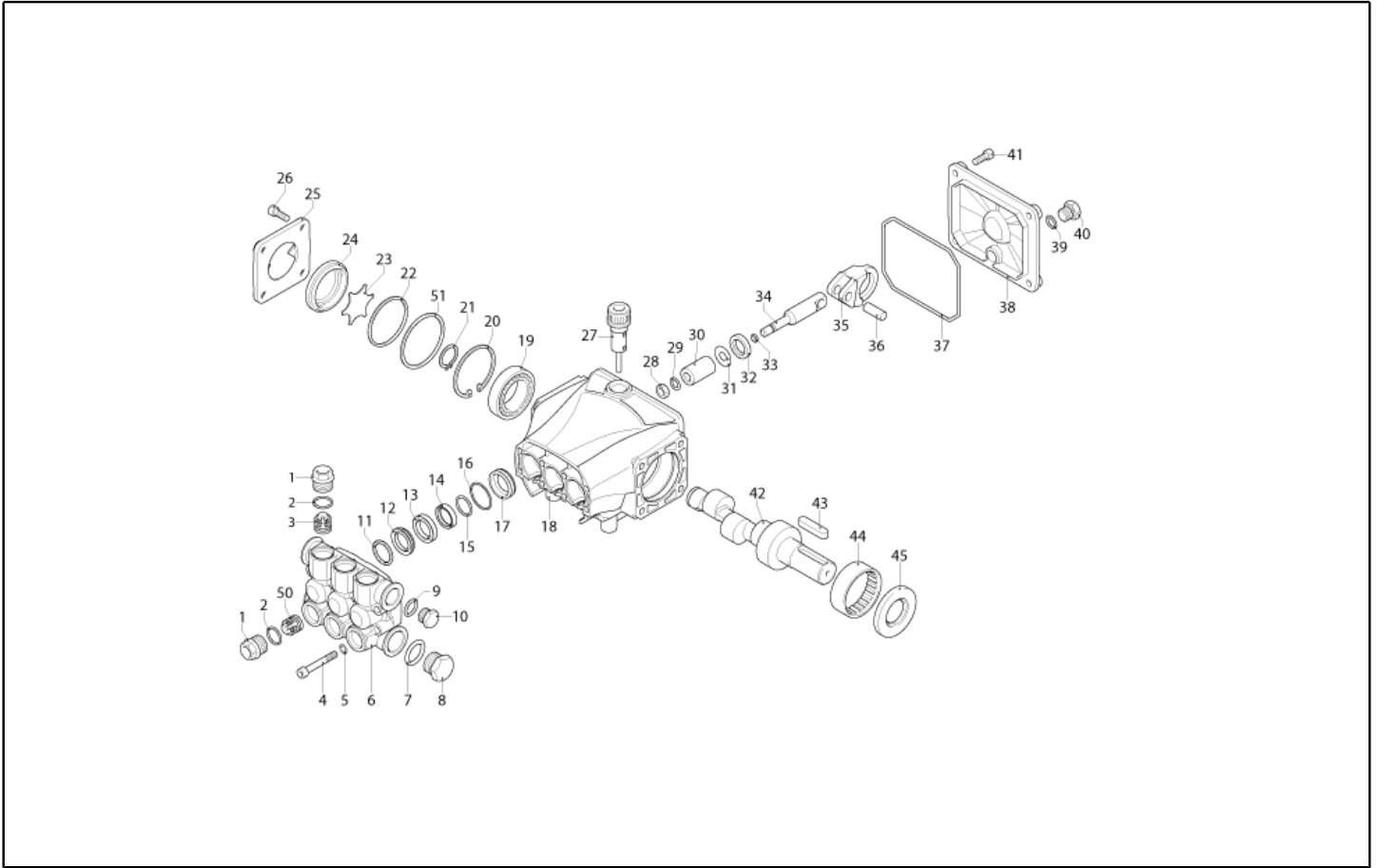
| Ref. K | Part n. | Part n. 2 | Description | Quantity | Validity | | Price |
|--------|-----------|-----------|--|----------|------------|------------|-------|
| | | | | | From | To | |
| 0001 | MOTR40078 | | 3PH MOTOR C45/AC HP 6.0 2/4-50 4P | 1,00 | 20/12/2020 | | -- |
| 0002 | PPAP40039 | | PUMP RC 14.16 DX N | 1,00 | 20/12/2020 | | -- |
| 0002 | PPAP40126 | | PUMP "E1" B 1614 DX | 1,00 | | 19/12/2020 | -- |
| 0003 | VVAZ40078 | | VALVE VRF-2 AR-R PP.R.S/IN.M22 | 1,00 | 20/12/2020 | | -- |
| 0003 | VVAZ40083 | | VALVE VRF-2 EVO PP.R.S/IN.M22 | 1,00 | | 19/12/2020 | -- |
| 0004 | RCDS40266 | | SLEEVE 1/8-1/4 M/F OT. | 1,00 | 20/12/2020 | | -- |
| 0005 | PVVR40471 | | KNOB VRF-2 A.sf. | 1,00 | 01/04/2018 | | -- |
| 0006 | RCDS87610 | | NIPPLE 3/4 - 1/2 CB D.13.0 | 1,00 | 20/12/2020 | | -- |
| 0007 | FTDT12702 | | FILTER PA | 1,00 | | | -- |
| 0008 | RCVR29600 | | SOCKET PTC 3/4 F | 1,00 | | | -- |
| 0009 | RCDS40268 | | COLUMN M-F 1/8 L=32 MM ZC. | 1,00 | 20/12/2020 | | -- |
| 0010 | MNMN93800 | | PRESSURE GAUGE 1/8 POST. 0-300 D.40 S/ST | 1,00 | 20/12/2020 | | -- |
| 0012 | GUGO10881 | | GASKET M.EL. 73X73 | 2,00 | | | -- |
| 0013 | MPVR40925 | | SPACER PW-C45 6Hp H.5.5 ABS | 1,00 | | | -- |
| 0014 | MPVR40939 | | CONTROL BOX PW-C45 P/H100 ABS BK. | 1,00 | 20/12/2020 | | -- |
| 0014 | MPVR40961 | | CONTROL BOX PW-C45 P/H10-Ev ABS BK. | 1,00 | | 19/12/2020 | -- |
| 0015 | MPVR40908 | | BOX COVER PW-C45 ABS BK. | 1,00 | 20/12/2020 | | -- |
| 0016 | MPVR23482 | | TAIL PIECE TEC. TUV | 1,00 | 20/12/2020 | | -- |
| 0017 | GUGO25527 | | O-RING D. 14 X 3 NBR 70SH | 1,00 | 20/12/2020 | | -- |
| 0018 | VTRS40008 | | WASHER D. 3,2X 9 X0,8 NYL | 2,00 | 20/12/2020 | | -- |
| 0019 | MPVR49057 | | BLACK KNOB P176-M.RACE PA6 | 1,00 | | | -- |
| 0020 | MPVR40902 | | RED COVER PW-C45 PPL | 1,00 | | | -- |
| 0021 | MPVR40906 | | DOOR PW-C45 PPL BK. | 1,00 | | | -- |
| 0022 | MPVR40904 | | BACK PANEL PW-C45 PP BK. | 1,00 | | | -- |
| 0023 | MPVR40909 | | TOOL HOLDER PW-C45 PP BK. | 1,00 | | | -- |
| 0024 | MPVR40485 | | RUBBER PW-H35 15-20BK. | 1,00 | | | -- |
| 0025 | MPVR40534 | | PIN PW-H35 PP BK. | 2,00 | | | -- |
| 0026 | LAFN40977 | | TROLLEY PW-C45 | 1,00 | | | -- |
| 0027 | MPVR40905 | | FOOT PW-C45 PP BK. | 1,00 | | | -- |
| 0028 | LAFN40991 | | HANDLE PW-C45/55 BK. | 1,00 | | | -- |
| 0029 | MPVR40910 | | HALF BEARING PW-C45 ANT. PP BK. | 1,00 | | | -- |
| 0030 | MPVR40911 | | HALF BEARING PW-C45 PST. PP BK. | 1,00 | | | -- |
| 0031 | MPVR40915 | | TOOL HOLDER PW-C45 HAN.PP BK. | 1,00 | | | -- |
| 0032 | RTRT40019 | | WHEEL D.250-D.20X 58 RES BK. | 2,00 | | | -- |
| 0033 | VTRS28558 | | WASHER D.20 | 2,00 | | | -- |
| 0034 | MPVR40735 | | HUB CAP D.50 G-48/IPC RD. | 2,00 | | | -- |
| 0035 | MPVR60553 | | FOOT GOMMA 20X20 AQ EPDR50 | 2,00 | | | -- |
| 0036 | IPPR40020 | | GRIP G 6000+P.330 +M22 SW.M V | 1,00 | | 14/06/2018 | -- |
| 0036 | IPPR40025 | | GRIP G 6000+P.330 +M22 SW.M 2V | 1,00 | 15/06/2018 | | -- |
| 0037 | LCPR40087 | | EXTENSION P 70 -P20.IX700 M22 M | 1,00 | | | -- |
| 0038 | UGLN49987 | | NOZZLE LECH 1/4 15045 | 1,00 | | | -- |
| 0039 | TBAP25324 | | H.P. HOSE R1 MT 10 5/16" C/2 IRV ZC | 1,00 | | 30/04/2022 | -- |
| 0039 | TBAP40256 | | H.P. HOSE 5/16 250B 10MT C/2 IRV ZC | 1,00 | 01/05/2022 | | -- |
| 0040 | VTVR40062 | | HANDWHEEL F 8MA THF40 +CAP | 2,00 | | 14/07/2018 | -- |



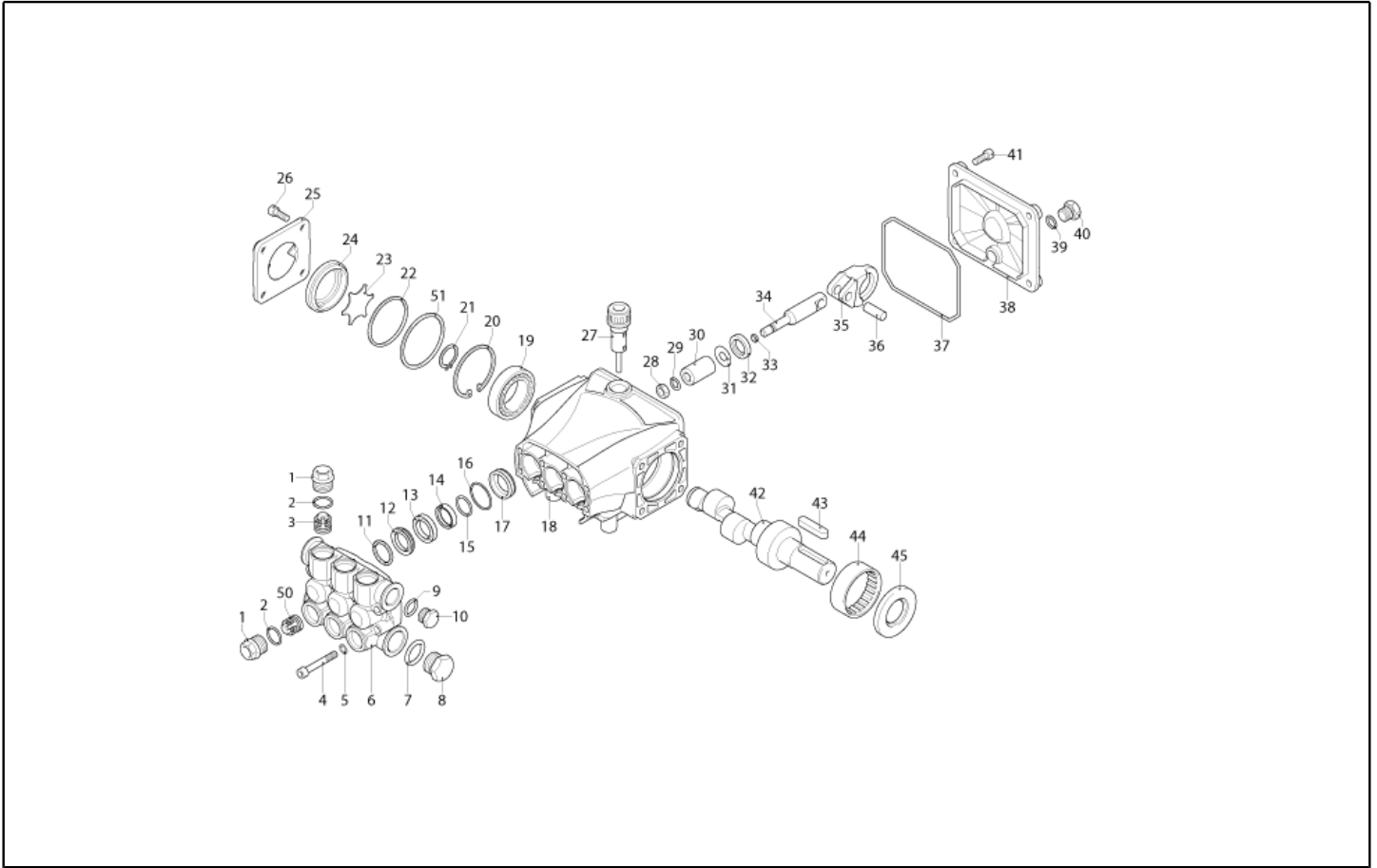
| Ref. K | Part n. | Part n. 2 | Description | Quantity | Validity | | Price |
|--------|-----------|-----------|---------------------------------|----------|------------|------------|-------|
| | | | | | From | To | |
| 0040 | VTVR40066 | | HANDWHEEL F 8MA 3R.ZE | 2,00 | 15/07/2018 | | -- |
| 0040 | VTDD40019 | | NUT M 8 ZC.BK. UNI 5588 | 2,00 | 15/07/2018 | | -- |
| 0041 | VTVR40064 | | PLATE M 5 SP.1.5 BR. | 2,00 | | | -- |
| 0042 | MEVR20906 | | CABLE CLAMP KSM | 1,00 | | | -- |
| 0043 | VTRS00504 | | WASHER D. 8 ZC. UNI 6592 | 2,00 | | | -- |
| 0044 | VTVT40070 | | SCREW M 8X 50 TTQST UNI 5731 | 2,00 | | | -- |
| 0046 | RCVR29602 | | CONNECTOR D. 1/2"-5/8" PTC | 1,00 | | | -- |
| 0047 | PVVR40183 | | CAP AR RC C/F. 1/8F+OR | 2,00 | 20/12/2020 | | -- |
| 0047 | PVVR40495 | | CAP M18X1.5X10 + 1/8" F E.NK | 2,00 | | 19/12/2020 | -- |
| 0048 | MPVR01696 | | PROD D.25 1.02.107 | 2,00 | | | -- |
| 0049 | RCDS40172 | | SCREW 3/8 VRF-2 OT. 4F. | 1,00 | 20/12/2020 | | -- |
| 0050 | GUGO03510 | | O-RING D. 12.37 X 2.62 NBR 70SH | 2,00 | 20/12/2020 | | -- |
| 0051 | VTRS00548 | | WASHER D.17,5X23X1,5 (3/8)RM | 1,00 | 20/12/2020 | | -- |
| 0052 | RCDS40171 | | SCREW G 1/2 VRF-2 OT. 2F. | 1,00 | 20/12/2020 | | -- |
| 0053 | GUGO01048 | | O-RING D. 15.88 X 2.62 NBR 70SH | 2,00 | 20/12/2020 | | -- |
| 0054 | VTRS00549 | | WASHER D.21,5X27X1,5 (1/2) RM | 1,00 | 20/12/2020 | | -- |
| 0055 | RCDS40176 | | ELBOW 1/8" M/F CN. L=24 OT. | 1,00 | 20/12/2020 | | -- |
| 0056 | GUGO03505 | | O-RING D. 15.6 X 1.78 NBR 70SH | 2,00 | | 19/12/2020 | -- |
| 0064 | GUGO33675 | | JOINT MOUSSE D. 4 | 1,10 | 20/12/2020 | | -- |



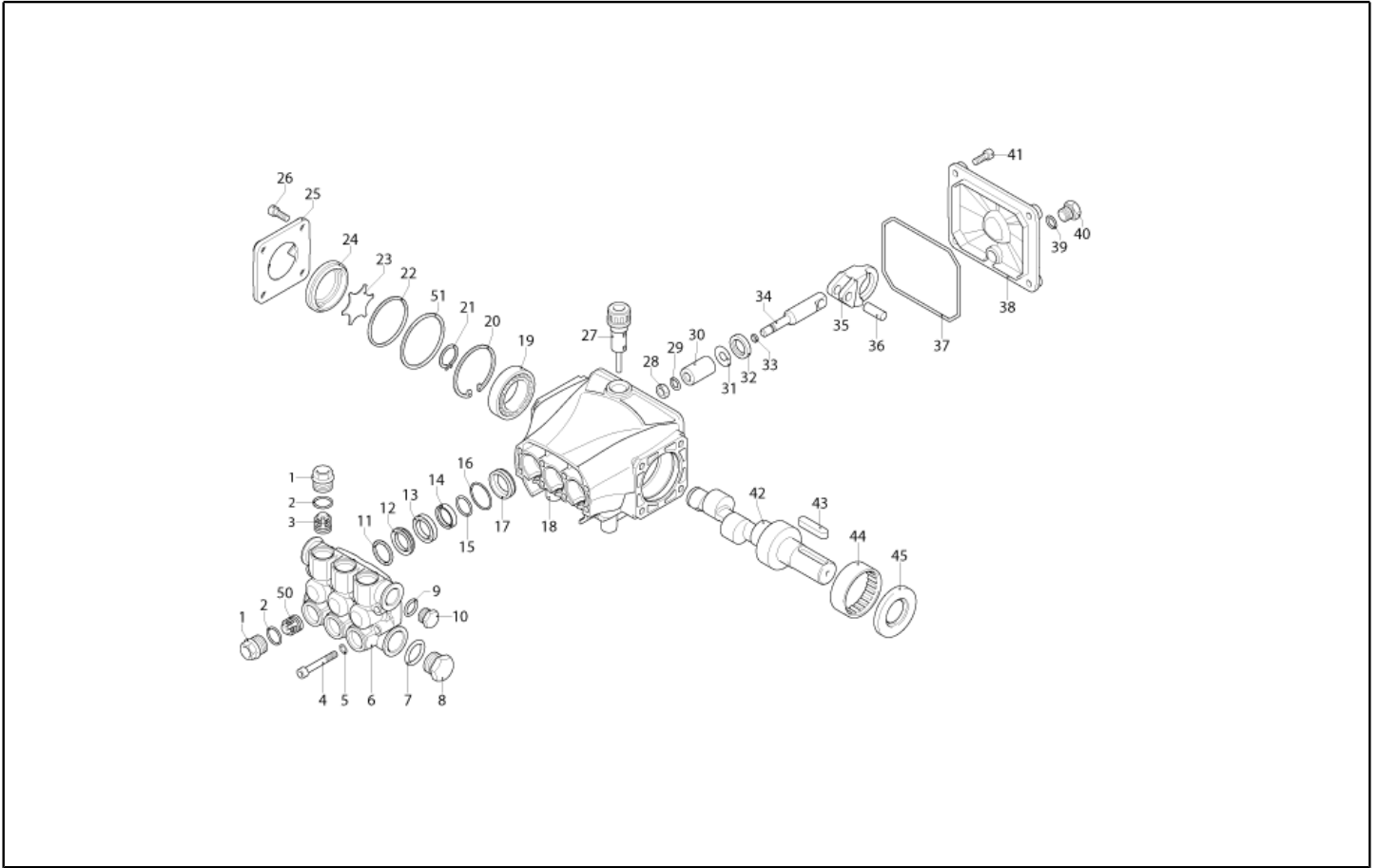
| Ref. K | Part n. | Part n. 2 | Description | Quantity | Validity | | Price |
|--------|-----------|-----------|---|----------|------------|------------|-------|
| | | | | | From | To | |
| K | METT40013 | | CONTACTOR SIE 3RT 2017-1AV01 400V | 1,00 | 20/12/2020 | | -- |
| IG | MECI40020 | | SWITCH BRM BP. 0-1 12A | 1,00 | 20/12/2020 | | -- |
| P1 | MEPF40036 | | PRESSURE SWITCH MTM 1/8M NA/NC 15B. MICRO | 1,00 | 20/12/2020 | | -- |
| P2 | MEPF39901 | | PRESSURE SWITCH MTM 1/4M NA/NC 15B. MICRO | 1,00 | 20/12/2020 | | -- |
| TM | METY40023 | | TIMER THV/1Eco. 400-5/60 30S. | 1,00 | 20/12/2020 | | -- |
| CV1 | MEVR09422 | | PLUG WMX 3P+N+T 16A 380V | 1,00 | | | -- |
| CV1 | MECB40002 | | CABLE H07 RNF 4X1.5 L=6.500 | 1,00 | | 30/09/2018 | -- |
| CV1 | MECB40404 | | CABLE N.569 H07RNF 4X1.5 L.6.10 | 1,00 | 20/12/2020 | | -- |



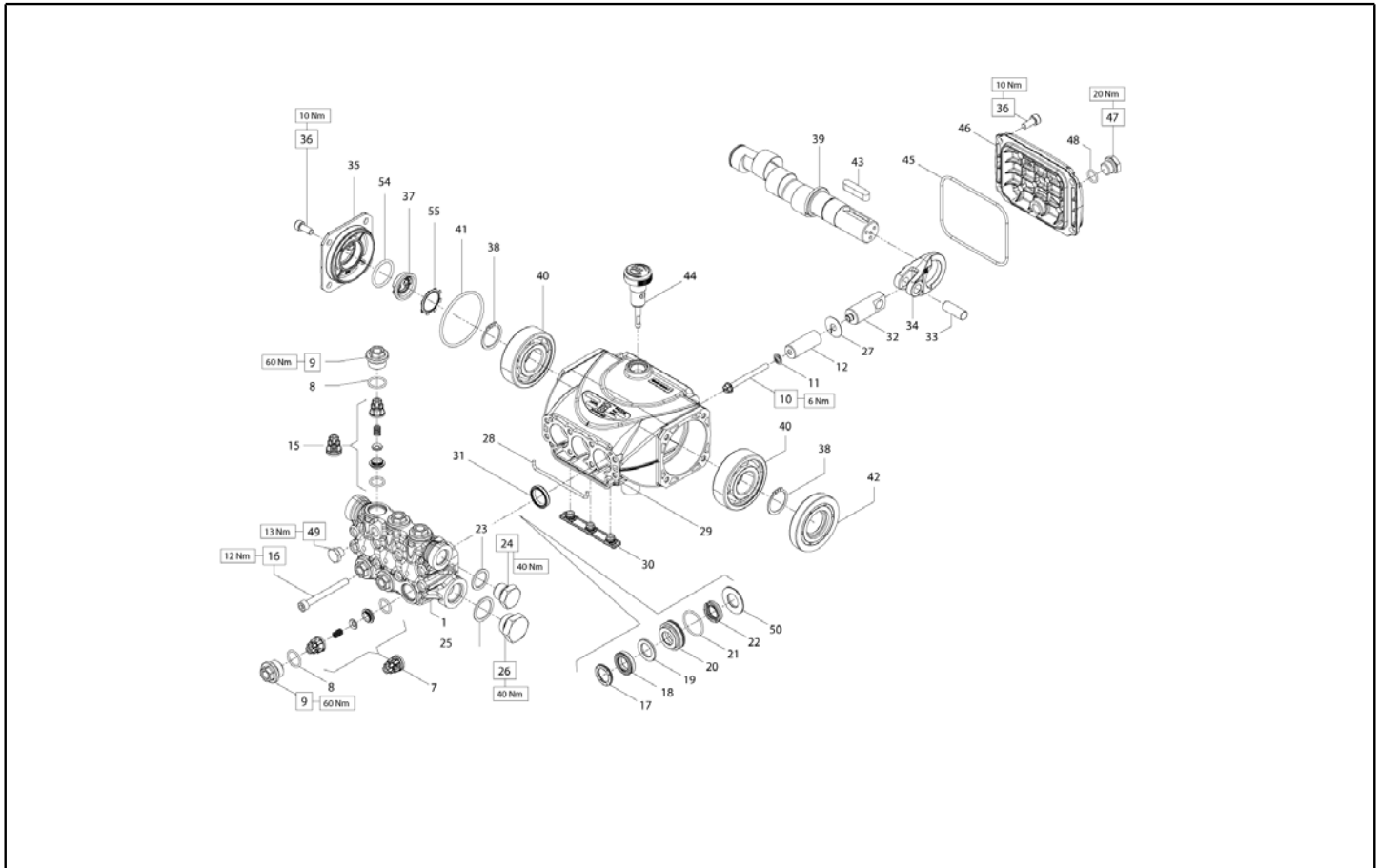
| Ref. K | Part n. | Part n. 2 | Description | Quantity | Validity | | Price |
|--------|-------------|-----------|----------------------------------|----------|------------|------------|-------|
| | | | | | From | To | |
| 0001 | PVVR40120 | | CAP AR RC | 6,00 | | | -- |
| 0002 | GUGO03505 | | O-RING D. 15.6 X 1.78 NBR 70SH | 6,00 | | | -- |
| 0003 | S VVAM40002 | | VALVE UNIT RC | 6,00 | | 31/07/2012 | -- |
| 0003 | S VVAM40002 | | VALVE UNIT RC | 3,00 | 01/08/2012 | | -- |
| 0004 | VTVT06236 | | SCREW TCCE UNI 5931 6X40 ZB | 8,00 | | | -- |
| 0005 | VTRS01077 | | WASHER D. 6.4X10X0,7 | 8,00 | | | -- |
| 0006 | MFVR40019 | | HEAD AR RC OT. | 1,00 | | | -- |
| 0007 | GUGO19245 | | O-RING D. 17.5 X 2 NBR 70SH | 1,00 | | | -- |
| 0008 | PVVR40121 | | CAP 1/2 M RC | 1,00 | | | -- |
| 0009 | GUGO09720 | | O-RING D. 14 X 1.78 NBR 70SH | 1,00 | | | -- |
| 0010 | PVVR40099 | | CAP 3/8 M HRM | 1,00 | | | -- |
| 0011 | S PVVR40122 | | HEAD RING D. 18 RC | 3,00 | | | -- |
| 0012 | S GUVR40035 | | PACKING D. 18 RC H.P. | 3,00 | | | -- |
| 0013 | PVVR40123 | | INTERMED. RING D. 18 RC | 3,00 | | | -- |
| 0014 | S GUVR40036 | | PACKING D. 18 RC L.P. | 3,00 | | | -- |
| 0015 | S GUVR40037 | | ANTI-EXTR.RING D.21 | 3,00 | | | -- |
| 0016 | S GUGO19290 | | O-RING D. 23.52 X 1.78 NBR 70SH | 3,00 | | 31/03/2014 | -- |
| 0016 | S GUGO08182 | | O-RING D. 21.91 X 1.78 NBR 70SH | 3,00 | 01/04/2014 | | -- |
| 0017 | PVVR40124 | | PACKING RETAIN. D. 18 RC | 3,00 | | | -- |
| 0018 | MFVR40020 | | PUMP CRANKCASE AR RC | 1,00 | | 31/03/2014 | -- |
| 0018 | MFVR40027 | | PUMP CRANKCASE AR RCS | 1,00 | 01/04/2014 | | -- |
| 0019 | CUVR28336 | | BALL BEARING 6304 | 1,00 | | | -- |
| 0020 | VTAE09661 | | CIRCLIP D. 52 UNI 7437 | 1,00 | | | -- |
| 0021 | VTAE06193 | | CIRCLIP D. 20 UNI 7435 | 1,00 | | | -- |
| 0022 | GUGO02561 | | O-RING D. 47.3 X 2.62 NBR 70SH | 1,00 | | | -- |
| 0023 | PVVR40125 | | DISC RC | 1,00 | | 31/03/2016 | -- |
| 0023 | PVVR40472 | | OIL INDICATOR RC CPL. | 1,00 | 01/04/2016 | | -- |
| 0024 | PVVR40126 | | OIL INDICATOR RC | 1,00 | | 31/03/2016 | -- |
| 0025 | MFVR40021 | | CRANKCASE COVER AR RC LT. | 1,00 | | | -- |
| 0026 | VTVT01531 | | SCREW TE 6X 16 UNI 5739 | 4,00 | | | -- |
| 0027 | PVVR19231 | | OIL CAP XTS | 1,00 | | 31/03/2014 | -- |
| 0027 | PVVR40436 | | OIL CAP RC | 1,00 | 01/04/2014 | | -- |
| 0028 | VTDD00483 | | NUT M 8 ZIN UNI 5588 | 3,00 | | | -- |
| 0029 | VTRS19394 | | WASHER D. 8X13X0,5 | 3,00 | | | -- |
| 0030 | S PIVR40005 | | PISTON D.18X30 RC | 3,00 | | | -- |
| 0031 | PVVR19233 | | DISC XTS | 3,00 | | | -- |
| 0032 | S GUGO09690 | | OIL SEAL 15X 24X 5 NBR70 | 3,00 | | | -- |
| 0033 | GUGO08071 | | O-RING D. 4.48 X 1.78 NBR 70SH | 3,00 | | | -- |
| 0034 | PVVR40127 | | PISTON GUIDE RC | 3,00 | | | -- |
| 0035 | BLVR40001 | | CONNECTING ROD RC | 3,00 | | | -- |
| 0036 | PVVR40128 | | GUDGEON D. 9X23 RC | 3,00 | | | -- |
| 0037 | GUGO18695 | | O-RING D. 101.27 X 2.62 NBR 70SH | 1,00 | | | -- |
| 0038 | MFVR40022 | | CRANKCASE COVER AR RC | 1,00 | | | -- |
| 0039 | GUGO01036 | | O-RING D. 10.82 X 1.78 NBR 70SH | 1,00 | | | -- |



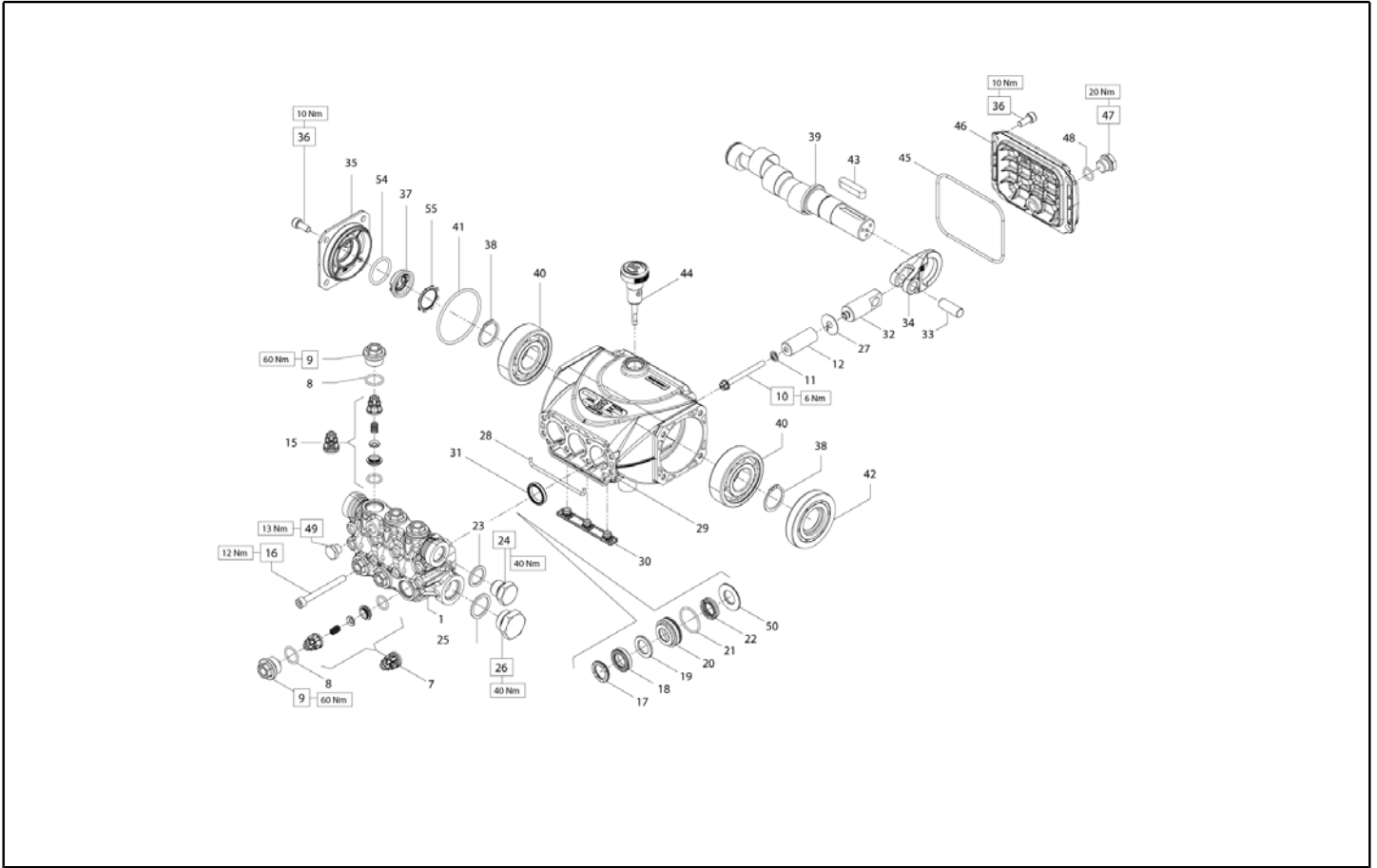
| Ref. K | Part n. | Part n. 2 | Description | Quantity | Validity | | Price |
|--------|-------------|-----------|--------------------------|----------|------------|----|-------|
| | | | | | From | To | |
| 0040 | PVVR40129 | | CAP 1/4 M RC | 1,00 | | | -- |
| 0041 | VTVT09913 | | SCREW TCEI 6X16 UNI5931 | 4,00 | | | -- |
| 0042 | ALMO40006 | | SHAFT AR RC 14LT VRS. N | 1,00 | | | -- |
| 0043 | VTVR41531 | | KEY 8X 7X35 UNI 6604A | 1,00 | | | -- |
| 0044 | CUVR23636 | | ROLLER BEARING HK 4516 | 1,00 | | | -- |
| 0045 | S GUGO00999 | | OIL SEAL 25X 52X 7 NBR70 | 1,00 | | | -- |
| 0050 | S VVAM40007 | | VALVE UNIT RC ASP. BK | 3,00 | 01/08/2012 | | -- |
| 0051 | PVVR40437 | | RING D. 51.8 X0.5 | 1,00 | 01/04/2014 | | -- |



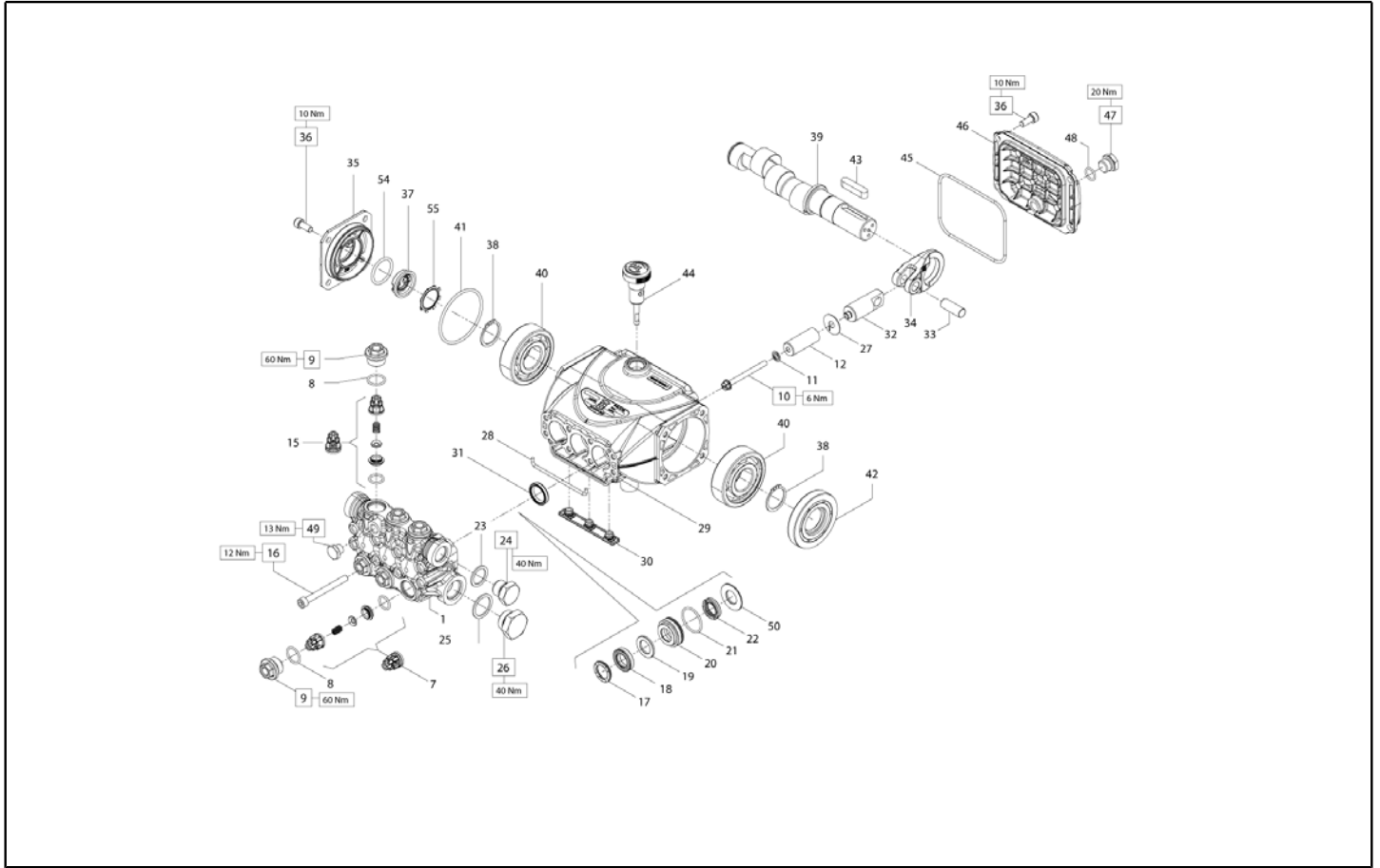
| Ref. Part n. | Part n. 2 | Description | Reference | Price |
|--------------|-----------|-------------------------------|---------------------|-------|
| KTRI40092 | | KIT P 15-2186 RC | 0003 | -- |
| KTRI40093 | | KIT P 15-42917 RC | 0030 | -- |
| KTRI40094 | | KIT P 15-42919 D.18 RC | 0012 0014 0015 0016 | -- |
| KTRI40095 | | KIT P 15-42903 D.18 RC | 0011 | -- |
| KTRI40096 | | KIT P 15-42918 RC | 0032 0045 | -- |
| KTRI40207 | | KIT P 15-42914 RC 3+3 BL./WH. | 0003 0050 | -- |



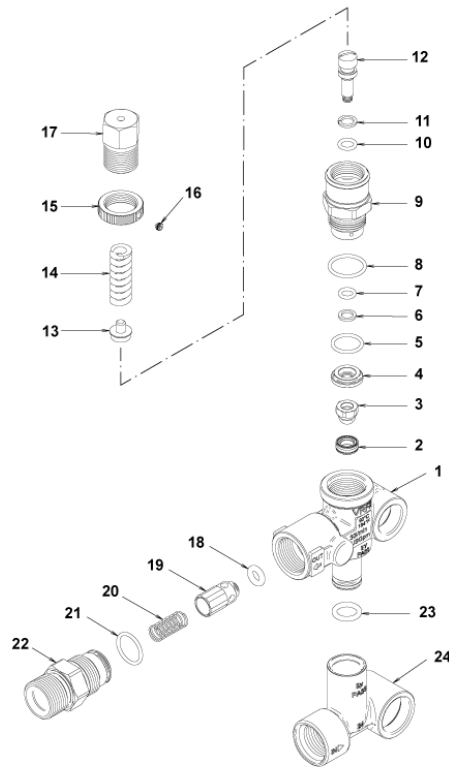
| Ref. K | Part n. | Part n. 2 | Description | Quantity | Validity | | Price |
|--------|-----------|-----------|-----------------------------------|----------|----------|----|-------|
| | | | | | From | To | |
| 0001 | MFVR40080 | | HEAD "53" E1 D.18 GJ | 1,00 | | | -- |
| 0007 | S | VVAM40010 | VALVE UNIT "53" E1-AS. | 3,00 | | | -- |
| 0008 | S | GUGO03505 | O-RING D. 15.6 X 1.78 NBR 70SH | 6,00 | | | -- |
| 0009 | | PVVR40494 | CAP M18X1.5X10 EVO.NK | 6,00 | | | -- |
| 0010 | | VTVT00679 | SCREW TE M 5X 55 UNI 5737 ZC | 3,00 | | | -- |
| 0011 | | VTRS40037 | WASHER D. 5.0X11.5X0.4 | 3,00 | | | -- |
| 0012 | | PIVR40018 | PISTON D.18X38.5 | 3,00 | | | -- |
| 0015 | S | VVAM40009 | VALVE UNIT "58" E2-MD. | 3,00 | | | -- |
| 0016 | | VTVT05725 | SCREW TCEI 6X60 | 8,00 | | | -- |
| 0017 | S | PVVR40496 | HEAD RING D. 18 "58" | 3,00 | | | -- |
| 0018 | S | GUVR40103 | PACKING D. 18 HP "58E2" | 3,00 | | | -- |
| 0019 | S | GUVR40104 | ANTI-EXTR.RING D.18 X28 X2 | 3,00 | | | -- |
| 0020 | S | PVVR40515 | PACKING RETAIN. D. 18 "53E1" | 3,00 | | | -- |
| 0021 | S | GUGO03506 | O-RING D. 25.12 X 1.78 NBR 70SH | 3,00 | | | -- |
| 0022 | S | GUVR46029 | PACKING D. 18 L.P. "63" | 3,00 | | | -- |
| 0023 | | VTRS00548 | WASHER D.17,5X23X1,5 (3/8)RM | 1,00 | | | -- |
| 0024 | | RCDS01090 | CAP 3/8X13 M WW90 | 1,00 | | | -- |
| 0025 | | VTRS00549 | WASHER D.21,5X27X1,5 (1/2) RM | 1,00 | | | -- |
| 0026 | | RCDS40269 | CAP 1/2X10 M TE27 | 1,00 | | | -- |
| 0027 | | VTRS40038 | WASHER D. 7.5X23 X0.5 | 3,00 | | | -- |
| 0028 | | GUVR40111 | GASKET D. 3X 85 | 1,00 | | | -- |
| 0029 | | MFVR40081 | PUMP CRANKCASE "53" E1 | 1,00 | | | -- |
| 0030 | | PVVR40499 | PROTECTION INF. "58" | 1,00 | | | -- |
| 0031 | S | GUGO40078 | OIL SEAL 18X 24X 4 -LCM -NBR 70SH | 3,00 | | | -- |
| 0032 | | PVVR40516 | PISTON GUIDE "53" EVO.1 | 3,00 | | | -- |
| 0033 | | PVVR40517 | GUDGEON D.10X26.5 "53" | 3,00 | | | -- |
| 0034 | | BLVR40010 | CONNECTING ROD "53" EVO.1 | 3,00 | | | -- |
| 0035 | | MFVR40082 | CRANKCASE COVER "53" LT. EVO.1 | 1,00 | | | -- |
| 0036 | | VTVT01114 | SCREW TCEI 6X14 UNI 5931 | 8,00 | | | -- |
| 0037 | | PVVR40518 | OIL INDICATOR S."53" | 1,00 | | | -- |
| 0038 | | VTAE09655 | SEEGER ESTERNO DIN 471 D.25 | 2,00 | | | -- |
| 0039 | | ALMO40044 | SHAFT "53" N C.13 D.24 | 1,00 | | | -- |
| 0040 | | CUVR09654 | BALL BEARING 6305 | 2,00 | | | -- |
| 0041 | | GUGO09030 | O-RING 56X82 X2.62 - NBR | 1,00 | | | -- |
| 0042 | | GUGO28465 | OIL SEAL 25X 62X10 NBR70 | 1,00 | | | -- |
| 0043 | | VTVR09510 | KEY 8X7X35 | 1,00 | | | -- |
| 0044 | | PVVR40519 | OIL DIPSTICK G 3/8" X45 | 1,00 | | | -- |
| 0045 | | GUGO27617 | O-RING D. 88.57 X 2.62 NBR 70SH | 1,00 | | | -- |
| 0046 | | MFVR40083 | CRANKCASE COVER "53" EVO.1 | 1,00 | | | -- |
| 0047 | | PVVR40502 | CAP 1/4X 9 M TE17 ZC | 1,00 | | | -- |
| 0048 | | GUGO01036 | O-RING D. 10.82 X 1.78 NBR 70SH | 1,00 | | | -- |
| 0049 | | RCDS40250 | CAP G 1/8 X8 GJ | 1,00 | | | -- |
| 0050 | S | PVVR40520 | RING D.18 "53" | 3,00 | | | -- |
| 0054 | | GUGO01043 | O-RING D. 25.07 X 2.62 NBR 70SH | 1,00 | | | -- |



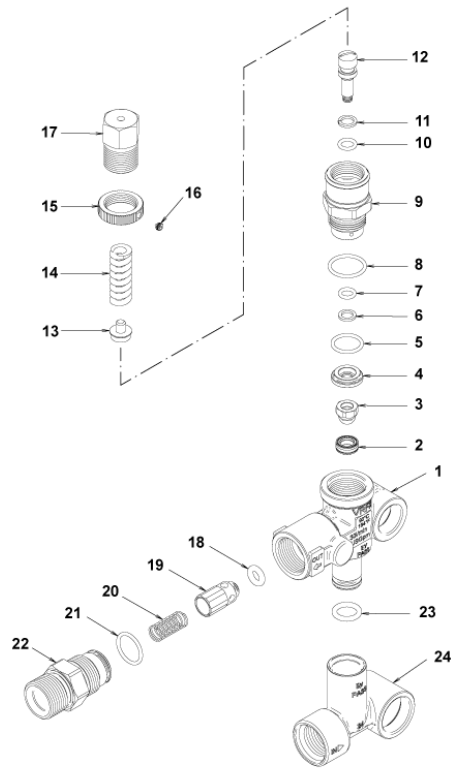
| Ref. K | Part n. | Part n. 2 | Description | Quantity | Validity | | Price |
|--------|-----------|-----------|-------------|----------|----------|----|-------|
| | | | | | From | To | |
| 0055 | VTAE40009 | | SEGER ZJ30 | 1,00 | | | -- |



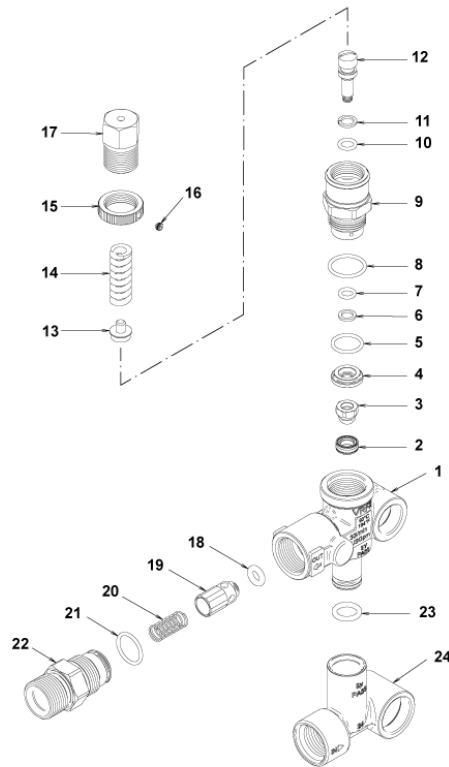
| Ref. Part n. | Part n. 2 | Description | Reference | Price |
|--------------|-----------|-------------------------|------------------------------------|-------|
| KTRI40422 | | KIT P 15-309 EVO.1 | 0007 0015 | -- |
| KTRI40423 | | KIT P 15-310 EVO.1 | 0008 0009 | -- |
| KTRI40424 | | KIT P 15-311 EVO.1 | 0031 | -- |
| KTRI40425 | | KIT P 15-314 D.18 EVO.1 | 0017 0018 0019 0021 0022 | -- |
| KTRI40426 | | KIT P 15-315 D.18 EVO.1 | 0017 0018 0019 0020 0021 0022 0050 | -- |



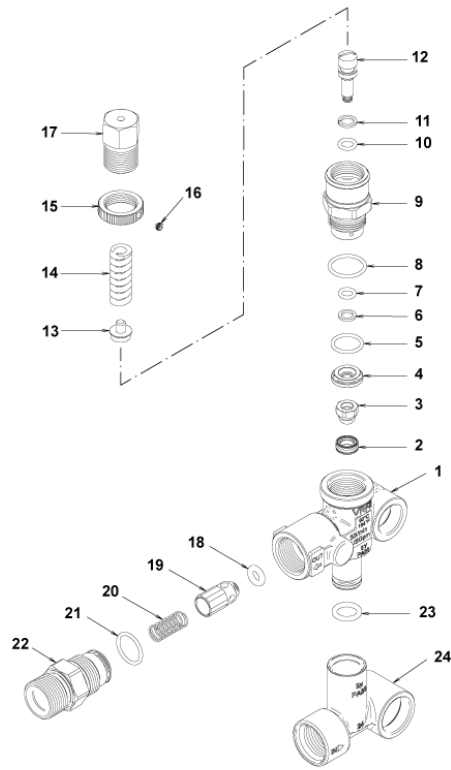
| Ref. K | Part n. | Part n. 2 | Description | Quantity | Validity | | Price |
|--------|-------------|-----------|-----------------------------------|----------|----------|----|-------|
| | | | | | From | To | |
| 0001 | PVVR40375 | | VALVE BODY VRF2 +G1/8 F | 1,00 | | | -- |
| 0002 | S PVVR40363 | | VALVE SEAT MV124 +OR | 1,00 | | | -- |
| 0003 | S PVVR40364 | | COUPLING MV124 | 1,00 | | | -- |
| 0004 | S PVVR40365 | | SPACER MV124 | 1,00 | | | -- |
| 0005 | S GUGO12322 | | O-RING D. 14 X 1.78 NBR 90SH | 1,00 | | | -- |
| 0006 | S GUVR40072 | | ANTI-EXTR.RING D. 6.5X 9.4 | 1,00 | | | -- |
| 0007 | S GUGO83861 | | O-RING D. 6.07 X 1.78 NBR 90SH | 1,00 | | | -- |
| 0008 | S GUGO24913 | | O-RING D. 17.17 X 1.78 NBR 90SH | 1,00 | | | -- |
| 0009 | S PVVR40366 | | CONNECTOR VRF2 D.10 | 1,00 | | | -- |
| 0010 | S GUGO03500 | | O-RING D. 6.75 X 1.78 NBR 70SH | 1,00 | | | -- |
| 0011 | S GUVR40073 | | ANTI-EXTR.RING D. 7.1X10 X1.2 TBT | 1,00 | | | -- |
| 0012 | S PVVR40367 | | SMALL PISTON D.10 VRF2 | 1,00 | | | -- |
| 0013 | PVVR40368 | | SPRING PLATE MV124 25B | 1,00 | | | -- |
| 0014 | MLML40027 | | SPRING D. 3.0/6.0 X38.85 | 1,00 | | | -- |
| 0015 | PVVR40369 | | RING NUT MV167.09 | 1,00 | | | -- |
| 0016 | VTVT89696 | | SCREW EI-ST 4X 4 UNI5927 ZC | 1,00 | | | -- |
| 0017 | PVVR40370 | | CAP VRF2 M18X1 | 1,00 | | | -- |
| 0018 | S GUGO46053 | | O-RING D. 6 X 3 NBR 90SH | 1,00 | | | -- |
| 0019 | S PVVR40349 | | COUPLING VRT3 | 1,00 | | | -- |
| 0020 | S MLML40026 | | SPRING VRT3 | 1,00 | | | -- |
| 0021 | S GUGO12321 | | O-RING D. 15.6 X 1.78 NBR 90SH | 1,00 | | | -- |
| 0022 | PVVR40374 | | CONNECTOR VRT3 M22 M | 1,00 | | | -- |
| 0023 | GUGO11225 | | O-RING D. 10.78 X 2.62 NBR 70SH | 1,00 | | | -- |
| 0024 | PVVR40373 | | CONNECTOR VRF2.24 | 1,00 | | | -- |



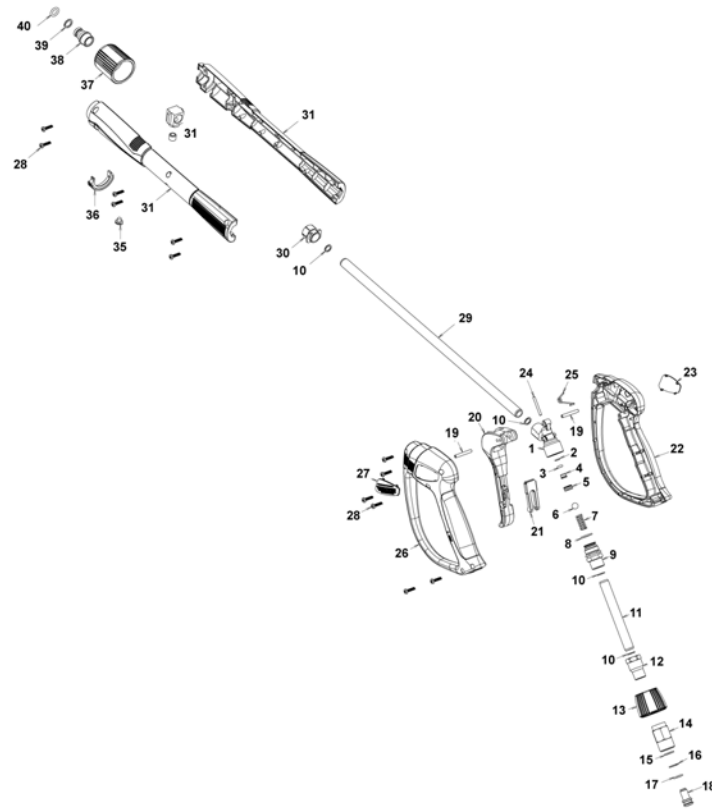
| Ref. Part n. | Part n. 2 | Description | Reference | Price |
|--------------|-----------|------------------------------|---|-------|
| KTRI40236 | | KIT P 14-103 VRF2 | 0002 0003 0004 0005 0006 0007 0008 0009 0010 0011 0012 0018 0019 0020 0021 | -- |
| KTRI40237 | | KIT P 14-104 SET GUARNIZIONI | 0002 0003 0005 0006 0007 0008 0010 0011 0018 0021 | -- |



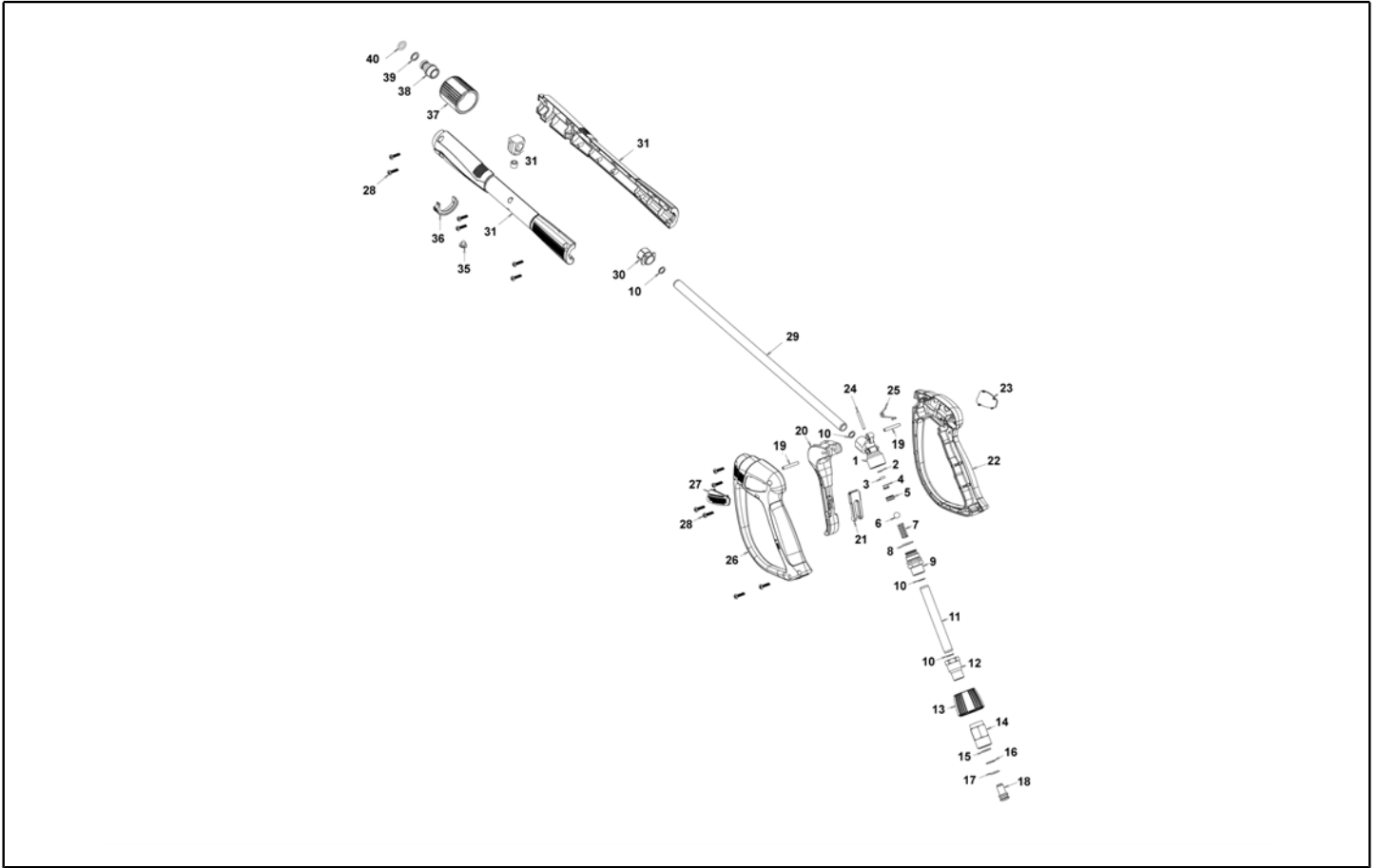
| Ref. K | Part n. | Part n. 2 | Description | Quantity | Validity | | Price |
|--------|-------------|-----------|-----------------------------------|----------|----------|----|-------|
| | | | | | From | To | |
| 0001 | PVVR40375 | | VALVE BODY VRF2 +G1/8 F | 1,00 | | | -- |
| 0002 | S PVVR40363 | | VALVE SEAT MV124 +OR | 1,00 | | | -- |
| 0003 | S PVVR40364 | | COUPLING MV124 | 1,00 | | | -- |
| 0004 | S PVVR40365 | | SPACER MV124 | 1,00 | | | -- |
| 0005 | S GUGO12322 | | O-RING D. 14 X 1.78 NBR 90SH | 1,00 | | | -- |
| 0006 | S GUVR40072 | | ANTI-EXTR.RING D. 6.5X 9.4 | 1,00 | | | -- |
| 0007 | S GUGO83861 | | O-RING D. 6.07 X 1.78 NBR 90SH | 1,00 | | | -- |
| 0008 | S GUGO24913 | | O-RING D. 17.17 X 1.78 NBR 90SH | 1,00 | | | -- |
| 0009 | S PVVR40366 | | CONNECTOR VRF2 D.10 | 1,00 | | | -- |
| 0010 | S GUGO03500 | | O-RING D. 6.75 X 1.78 NBR 70SH | 1,00 | | | -- |
| 0011 | S GUVR40073 | | ANTI-EXTR.RING D. 7.1X10 X1.2 TBT | 1,00 | | | -- |
| 0012 | S PVVR40367 | | SMALL PISTON D.10 VRF2 | 1,00 | | | -- |
| 0013 | PVVR40368 | | SPRING PLATE MV124 25B | 1,00 | | | -- |
| 0014 | MLML40027 | | SPRING D. 3.0/6.0 X38.85 | 1,00 | | | -- |
| 0015 | PVVR40369 | | RING NUT MV167.09 | 1,00 | | | -- |
| 0016 | VTVT89696 | | SCREW EI-ST 4X 4 UNI5927 ZC | 1,00 | | | -- |
| 0017 | PVVR40370 | | CAP VRF2 M18X1 | 1,00 | | | -- |
| 0018 | S GUGO46053 | | O-RING D. 6 X 3 NBR 90SH | 1,00 | | | -- |
| 0019 | S PVVR40349 | | COUPLING VRT3 | 1,00 | | | -- |
| 0020 | S MLML40026 | | SPRING VRT3 | 1,00 | | | -- |
| 0021 | S GUGO12321 | | O-RING D. 15.6 X 1.78 NBR 90SH | 1,00 | | | -- |
| 0022 | PVVR40374 | | CONNECTOR VRT3 M22 M | 1,00 | | | -- |
| 0023 | GUGO11225 | | O-RING D. 10.78 X 2.62 NBR 70SH | 1,00 | | | -- |
| 0024 | PVVR40503 | | CONNECTOR VRF2.19 EVO. | 1,00 | | | -- |



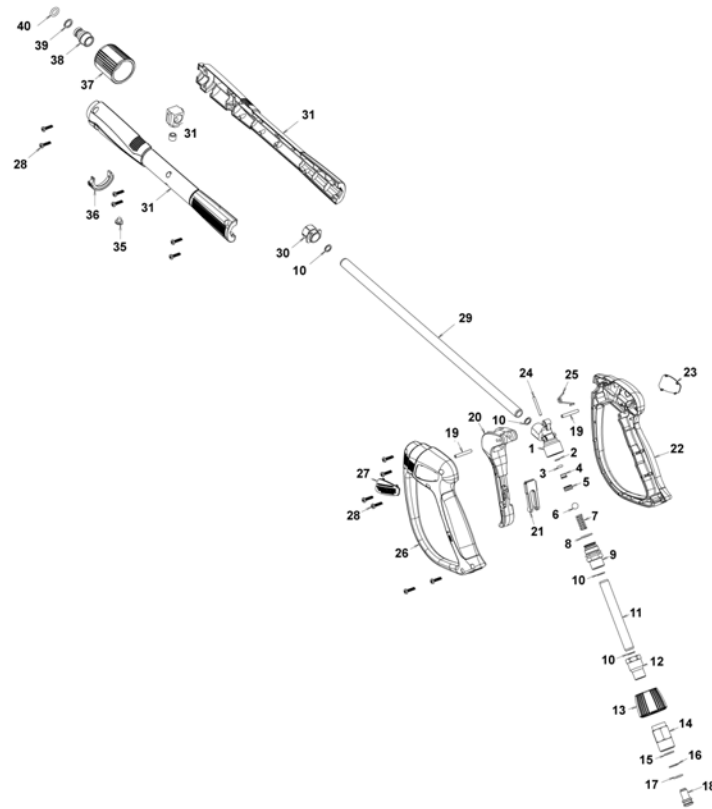
| Ref. Part n. | Part n. 2 | Description | Reference | Price |
|--------------|-----------|------------------------------|---|-------|
| KTRI40236 | | KIT P 14-103 VRF2 | 0002 0003 0004 0005 0006 0007 0008 0009 0010 0011 0012 0018 0019 0020 0021 | -- |
| KTRI40237 | | KIT P 14-104 SET GUARNIZIONI | 0002 0003 0005 0006 0007 0008 0010 0011 0018 0021 | -- |



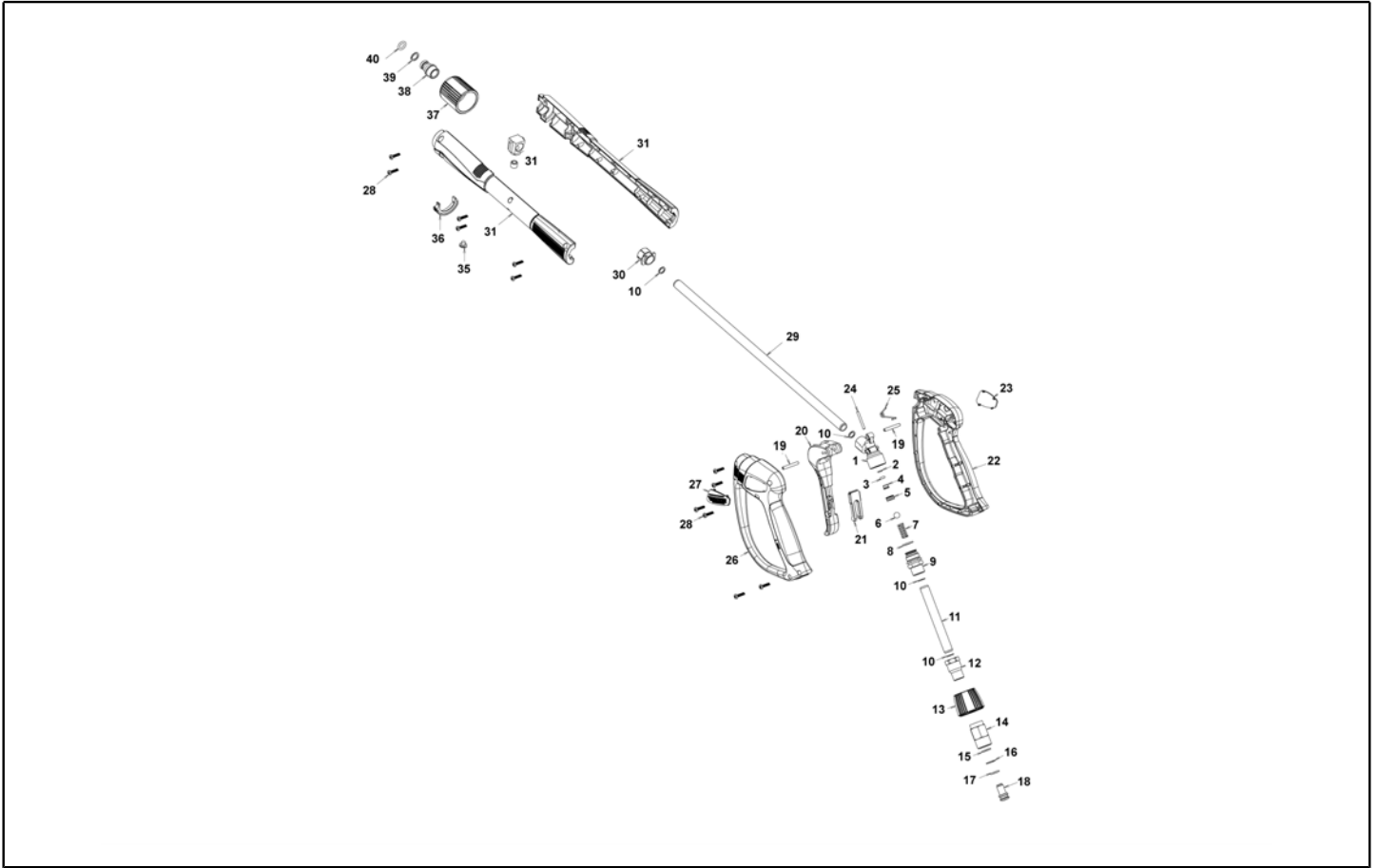
| Ref. K | Part n. | Part n. 2 | Description | Quantity | Validity | | Price |
|--------|-----------|-----------|---------------------------------|----------|----------|----|-------|
| | | | | | From | To | |
| 0001 | PVVR40381 | | GUN BODY G 5100 G1/4F | 1,00 | | | -- |
| 0002 | S | GUVR40074 | ANTI-EXTR.RING D. 3 X 7.4X1.3 | 1,00 | | | -- |
| 0003 | S | GUGO21835 | O-RING D. 2.84 X 2.62 VIT. 80SH | 1,00 | | | -- |
| 0004 | | PVVR40382 | PISTON GUIDE G 5100 | 1,00 | | | -- |
| 0005 | S | PVVR40112 | BALL SEAT G 5000 | 1,00 | | | -- |
| 0006 | S | SFVR40002 | BALL D.11/32" ALL GR16 | 1,00 | | | -- |
| 0007 | | MLML40016 | SPRING D. 9.4 x21.5x1.6 G5000 | 1,00 | | | -- |
| 0008 | | GUGO12322 | O-RING D. 14 X 1.78 NBR 90SH | 1,00 | | | -- |
| 0009 | | PVVR40383 | CONNECTOR COLL.G5100 1/4F | 1,00 | | | -- |
| 0010 | | VTRS40017 | WASHER D. 8.2X11,4X1.00 | 4,00 | | | -- |
| 0011 | | PVVR40384 | TUBE G 1/4" L.105 | 1,00 | | | -- |
| 0012 | | RCIN40022 | CONNECTOR SWIV G5100 1/4F | 1,00 | | | -- |
| 0013 | | MPVR40819 | RING NUT G 5100 SW. BK. | 1,00 | | | -- |
| 0014 | | RCIN40021 | JOINT SWIV 5100 M22 | 1,00 | | | -- |
| 0015 | S | GUVR40075 | ANTI-EXTR.RING D. 10 X14X1.5 | 1,00 | | | -- |
| 0016 | S | GUVR40076 | ANTI-EXTR.RING D. 11.2X14X1.2 | 1,00 | | | -- |
| 0017 | S | GUGO15295 | O-RING D. 10.82 X 1.78 VIT 75SH | 1,00 | | | -- |
| 0018 | | PVVR40386 | SCREW SW. G 5100 | 1,00 | | | -- |
| 0019 | | VTVR40047 | PLUG D. 4X29 | 2,00 | | | -- |
| 0020 | | MPVR40820 | TRIGGER G 6000-SW | 1,00 | | | -- |
| 0021 | | MPVR40821 | SAFETY-DEVICE G 6000-SW | 1,00 | | | -- |
| 0022 | | MPVR40822 | SHELL G 6000-SW DX | 1,00 | | | -- |
| 0023 | | MPVR40823 | PLATE G 6000 GR.DX | 1,00 | | | -- |
| 0024 | | PVVR40387 | SMALL PISTON G 5100 | 1,00 | | | -- |
| 0025 | | MLML40029 | SPRING G 5100 | 1,00 | | | -- |
| 0026 | | MPVR40824 | SHELL G 6000-SW SX | 1,00 | | | -- |
| 0027 | | MPVR40825 | PLATE G 6000 GR.SX | 1,00 | | | -- |
| 0028 | | VTVT40043 | SCREW AF 4X 14 HILO ZN.N | 12,00 | | | -- |
| 0029 | | LCPR40086 | TUBE 1/4 L=420 ZC. 0° | 1,00 | | | -- |
| 0030 | | MPVR40493 | CONNECTOR G 5100-SW | 1,00 | | | -- |
| 0031 | | MPVR40494 | PROTECTION P 420 C/AN. | 1,00 | | | -- |
| 0035 | | MPVR40198 | CAP G 5000 | 1,00 | | | -- |
| 0036 | | MPVR40495 | CAP G 5100 REM. | 1,00 | | | -- |
| 0037 | | PVVR40119 | CONNECTION M22X1,5 IRV G5000 | 1,00 | | | -- |
| 0038 | | RCIN40009 | GUDGEON G 1/4 F IRV G5000 | 1,00 | | | -- |
| 0039 | | GUVR40034 | ANTI-EXTR.RING D. 10 X14 | 1,00 | | | -- |
| 0040 | | GUGO01946 | O-RING D. 9.13 X 2.62 VIT 70SH | 1,00 | | | -- |



| Ref. Part n. | Part n. 2 | Description | Reference | Price |
|--------------|-----------|----------------------------|---------------------|-------|
| KTRI40243 | | KIT P 26- 26 SWIVEL G 5100 | 0015 0016 0017 | -- |
| KTRI40414 | | KIT P 26- 34 G 6000 | 0002 0003 0005 0006 | -- |



| Ref. K | Part n. | Part n. 2 | Description | Quantity | Validity | | Price |
|--------|-----------|-----------|---------------------------------|----------|----------|----|-------|
| | | | | | From | To | |
| 0001 | PVVR40381 | | GUN BODY G 5100 G1/4F | 1,00 | | | -- |
| 0002 | S | GUVR40074 | ANTI-EXTR.RING D. 3 X 7.4X1.3 | 1,00 | | | -- |
| 0003 | S | GUGO21835 | O-RING D. 2.84 X 2.62 VIT. 80SH | 1,00 | | | -- |
| 0004 | PVVR40382 | | PISTON GUIDE G 5100 | 1,00 | | | -- |
| 0005 | S | PVVR40563 | BALL SEAT AL36 G6000 + OR | 1,00 | | | -- |
| 0006 | S | SFVR40004 | BALL D. 5/16" ALL.GR16 | 1,00 | | | -- |
| 0007 | S | MLML40047 | SPRING D. 9.4 x23.5x1.6 G6000 | 1,00 | | | -- |
| 0008 | | GUGO12322 | O-RING D. 14 X 1.78 NBR 90SH | 1,00 | | | -- |
| 0009 | PVVR40383 | | CONNECTOR COLL.G5100 1/4F | 1,00 | | | -- |
| 0010 | VTRS40017 | | WASHER D. 8.2X11,4X1.00 | 4,00 | | | -- |
| 0011 | PVVR40384 | | TUBE G 1/4" L.105 | 1,00 | | | -- |
| 0012 | RCIN40022 | | CONNECTOR SWIV G5100 1/4F | 1,00 | | | -- |
| 0013 | MPVR40967 | | RING NUT G 6000 SW. GR. | 1,00 | | | -- |
| 0014 | RCIN40021 | | JOINT SWIV 5100 M22 | 1,00 | | | -- |
| 0015 | S | GUVR40075 | ANTI-EXTR.RING D. 10 X14X1.5 | 1,00 | | | -- |
| 0016 | S | GUVR40076 | ANTI-EXTR.RING D. 11.2X14X1.2 | 1,00 | | | -- |
| 0017 | S | GUGO15295 | O-RING D. 10.82 X 1.78 VIT 75SH | 1,00 | | | -- |
| 0018 | PVVR40386 | | SCREW SW. G 5100 | 1,00 | | | -- |
| 0019 | VTVR40047 | | PLUG D. 4X29 | 2,00 | | | -- |
| 0020 | MPVR40820 | | TRIGGER G 6000-SW | 1,00 | | | -- |
| 0021 | MPVR40821 | | SAFETY-DEVICE G 6000-SW | 1,00 | | | -- |
| 0022 | MPVR40822 | | SHELL G 6000-SW DX | 1,00 | | | -- |
| 0023 | MPVR40968 | | PLATE G 6000/2 GR.DX | 1,00 | | | -- |
| 0024 | S | PVVR40564 | SMALL PISTON G 6000 AL36 SP. | 1,00 | | | -- |
| 0025 | MLML40029 | | SPRING G 5100 | 1,00 | | | -- |
| 0026 | MPVR40824 | | SHELL G 6000-SW SX | 1,00 | | | -- |
| 0027 | MPVR40825 | | PLATE G 6000 GR.SX | 1,00 | | | -- |
| 0028 | VTVT40043 | | SCREW AF 4X 14 HILO ZN.N | 12,00 | | | -- |
| 0029 | LCPR40181 | | TUBE 1/4 L=416 ZC. 0° | 1,00 | | | -- |
| 0030 | MPVR40493 | | CONNECTOR G 5100-SW | 1,00 | | | -- |
| 0031 | MPVR40494 | | PROTECTION P 420 C/AN. | 1,00 | | | -- |
| 0035 | MPVR40198 | | CAP G 5000 | 1,00 | | | -- |
| 0036 | MPVR40495 | | CAP G 5100 REM. | 1,00 | | | -- |
| 0037 | PVVR40119 | | CONNECTION M22X1,5 IRV G5000 | 1,00 | | | -- |
| 0038 | RCIN40048 | | GUDGEON G 1/4 F IRV G6000/2 | 1,00 | | | -- |
| 0039 | GUVR40034 | | ANTI-EXTR.RING D. 10 X14 | 1,00 | | | -- |
| 0040 | GUGO63555 | | O-RING D. 9.3 X 2,4 VIT 75SH | 1,00 | | | -- |



| Ref. Part n. | Part n. 2 | Description | Reference | Price |
|--------------|-----------|----------------------------|-------------------------------|-------|
| KTRI40243 | | KIT P 26- 26 SWIVEL G 5100 | 0015 0016 0017 | -- |
| KTRI40513 | | KIT P 26- 36 G 6000/II | 0002 0003 0005 0006 0007 0024 | -- |